

For Residential and Commercial Applications

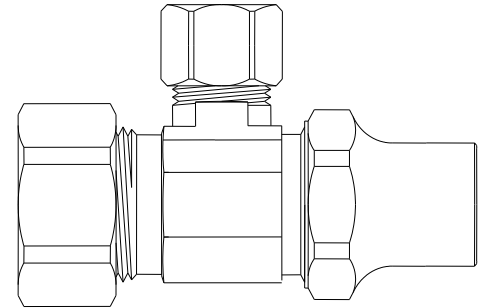
Job Name		Engineer / Architect	
Job Location		Wholesaler	
Submittal Date		Contractor	

SCR1900/1901/3903X Multi-Turn Dual Outlet Stop with Loose Key – Compression Inlet

Use: For use in potable water distribution systems in accessible locations only. Not intended for recirculation systems/continuous use temperatures above 115° F. For those applications, use our KT™ series ball stop.

Design Features:

- **Machined one-piece brass body** provides strength, durability, and long-lasting performance
- **Loose key handle design** helps protect against accidental stop operation during rough-ins and in general use



Operating Specifications:

- Temperature:** 40° - 140° F
- Pressure:** 125 PSI maximum

STOP MATERIAL SPECIFICATIONS	
Body	Brass
Lockshield Stem	Brass
Bib & Packing Washers	Rubber
Packing Nut	Brass
Loose Key	Zinc die cast
Compression Sleeve	Brass
Compression Nut	Brass

Part Listing:

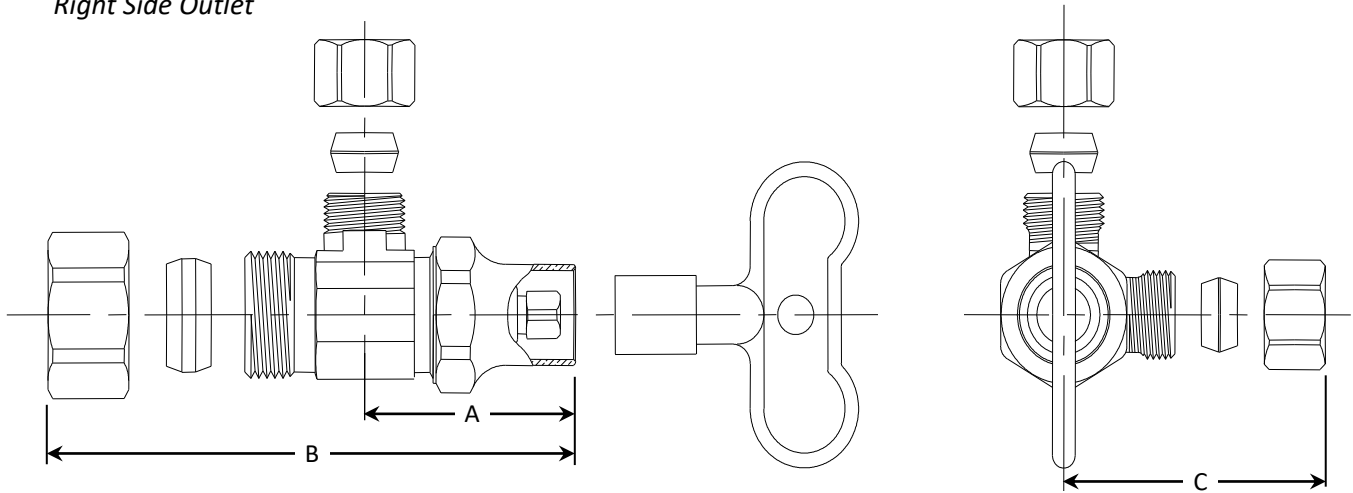
- SCR1900RX C1 1/2" nom compression x 3/8" OD compression (right side) x 1/4" OD compression, chrome plated, window tray
- SCR1901LRX C1 1/2" nom compression x 3/8" OD compression x 3/8" OD compression, chrome plated, window tray
- SCR1901LRX R1 1/2" nom compression x 3/8" OD compression x 3/8" OD compression, rough brass, window tray
- SCR3903LRX C1 1/2" nom compression x 1/2" OD compression x 1/2" OD compression, chrome plated, window tray

This specification and all information contained herein is the confidential and exclusive property of Brasscraft Manufacturing Company and shall not be disclosed to others without the written consent of Brasscraft Mfg. Co. This specification must be returned to Brasscraft Mfg. Co. if requested.

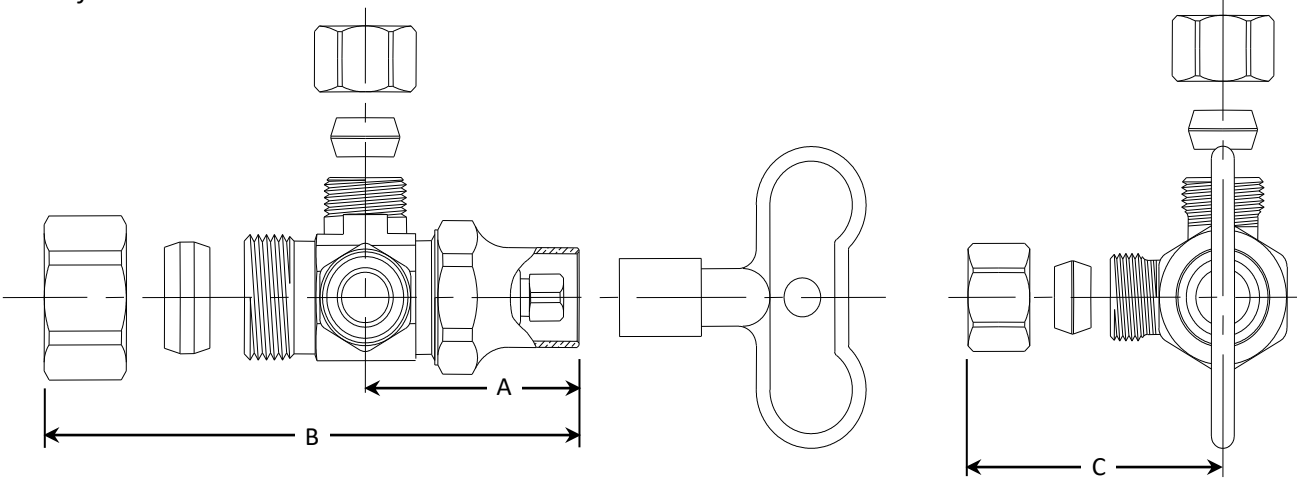
SCR1900/1901/3903X Multi-Turn Dual Outlet Stop with Loose Key – Compression Inlet

PART DIMENSIONS (Inches)			
Model	DIM. A	DIM. B	DIM. C
SCR1900RX	1.46	2.66	1.06
SCR1901LRX	1.46	2.66	1.06
SCR3903LRX	1.46	2.66	1.14

Right Side Outlet



Left Side Outlet



Listings & Certifications:

- IAPMO listed to ASME A112.18.1 / CSA B125.1 (includes NSF/ANSI 372 and NSF61)



This specification and all information contained herein is the confidential and exclusive property of Brasscraft Manufacturing Company and shall not be disclosed to others without the written consent of Brasscraft Mfg. Co. This specification must be returned to Brasscraft Mfg. Co. if requested.

BrassCraft®