

For Residential and Commercial Applications

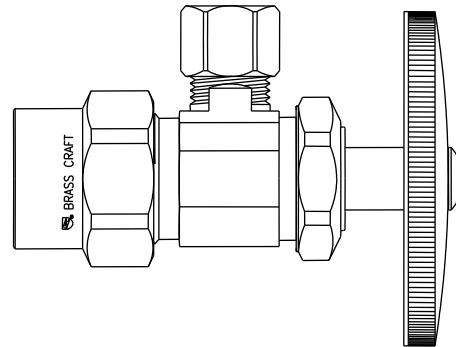
Job Name		Engineer / Architect	
Job Location		Wholesaler	
Submittal Date		Contractor	

PR09/ PR19/ PR39 Multi-Turn Angle Stop – CPVC x Compression

Use: For use in potable water distribution systems in accessible locations only. Not intended for recirculating water systems that produce continuous use temperatures above 115° F. For those applications, use our KT™ series ball stop.

Design Features:

- **Machined one-piece brass body** provides strength, durability, and long-lasting performance
- **Oval knurled handle** provides a secure grip and smooth on/off operation
- **DESIGNED, MACHINED AND ASSEMBLED IN THE USA**



Operating Specifications:

Temperature: 40° - 140° F
Pressure: 125 PSI maximum

STOP MATERIAL SPECIFICATIONS	
Body	Brass or brass, plated
Stem	POM; brass; or brass, plated
Handle	ABS, plated or polycarbonate
Handle Screw	Steel, zinc plated
Bib & Packing Washer	Rubber

STOP MATERIAL SPECIFICATIONS	
Packing Nut	Brass or brass, plated
CPVC Insert	CPVC
CPVC Washer	Rubber
CPVC Nut	Brass or brass, plated
Compression Sleeve & Nut	Brass

Part Listing:

- PR09X R 1/2" nom CPVC x 1/4" OD compression, rough brass
- PR09X RM 1/2" nom CPVC x 1/4" OD compression, rough brass, 5 pack
- PR19X C 1/2" nom CPVC x 3/8" OD compression, chrome
- PR19X R 1/2" nom CPVC x 3/8" OD compression, rough brass
- PR19X BZ 1/2" nom CPVC x 3/8" OD compression, oil rubbed bronze
- PR19X NS 1/2" nom CPVC x 3/8" OD compression, satin nickel
- PR19X C1 1/2" nom CPVC x 3/8" OD compression, chrome, window tray
- PR19X CM 1/2" nom CPVC x 3/8" OD compression, chrome, 5 pack
- PR19L1X CB 1/2" nom CPVC x 3/8" OD compression, less nut, chrome plated, bulk
- PR19TX CB 1/2" nom CPVC x 3/8" OD compression, plastic handle, chrome, bulk
- PR19X RM 1/2" nom CPVC x 3/8" OD compression, rough brass, 5 pack
- PR39X C 1/2" nom CPVC x 1/2" OD compression, chrome
- PR39X R 1/2" nom CPVC x 1/2" OD compression, rough brass
- PR39X CM 1/2" nom CPVC x 1/2" OD compression, chrome, 5 pack
- PR39X RM 1/2" nom CPVC x 1/2" OD compression, rough brass, 5 pack
- SPR19X C 1/2" nom CPVC x 3/8" OD compression, loose key, chrome
- XPR19X BZ1 1/2" nom CPVC x 3/8" OD compression, cross handle, oil rubbed bronze
- XPR19X NS1 1/2" nom CPVC x 3/8" OD compression, cross handle, satin nickel
- XXPR19X C 1/2" nom CPVC x 3/8" OD compression, round handle, chrome

This specification and all information contained herein is the confidential and exclusive property of Brasscraft Manufacturing Company and shall not be disclosed to others without the written consent of Brasscraft Mfg. Co. This specification must be returned to Brasscraft Mfg. Co. if requested.



PR09/ PR19/ PR39 Multi-Turn Angle Stop – CPVC x Compression

HANDLE MATERIAL SPECIFICATIONS

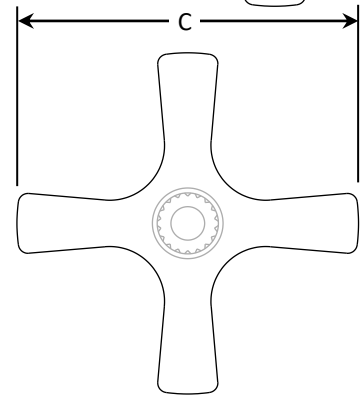
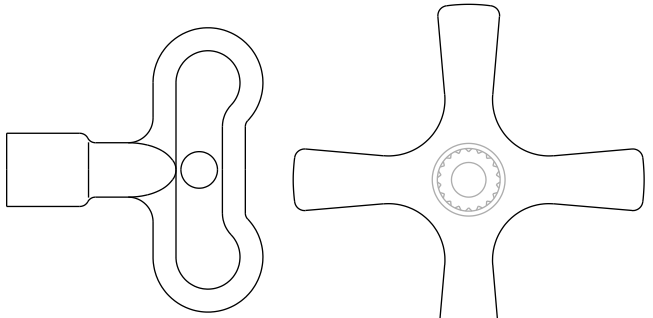
Loose Key	Zinc die cast
Loose Key Stem	Brass
Lock Shield	Brass, plated

Cross Handle	Brass, PVD coated
Cross Handle Cap	Brass

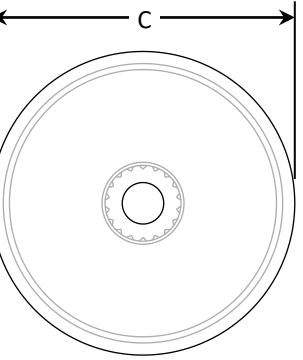
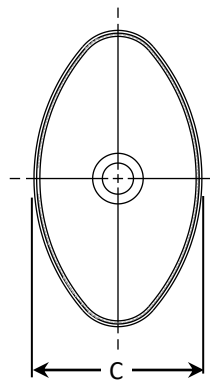
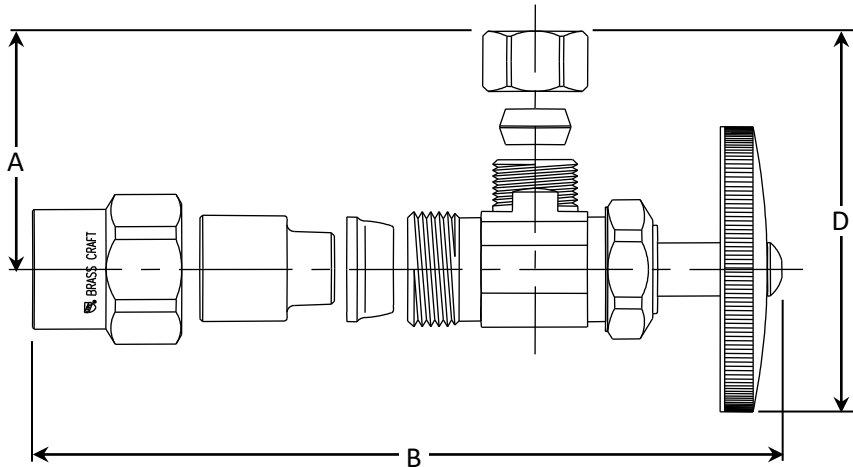
Round Handle	Brass, plated
Round Handle Cap	Brass

PART DIMENSIONS (Inches)

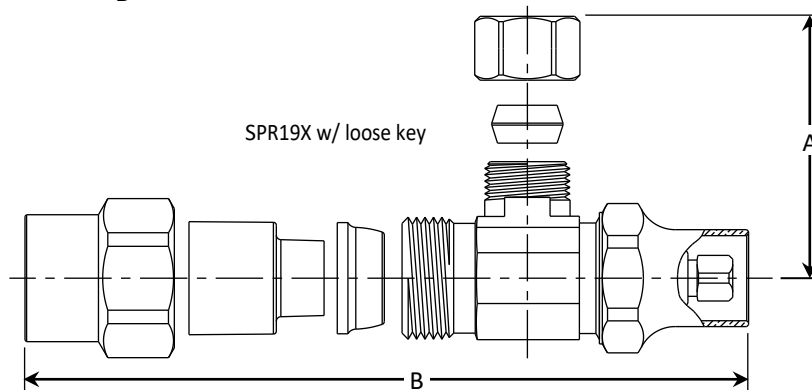
Model	DIM. A	DIM. B w/Loose Key	DIM. B w/Handle	DIA. C	DIM. D
PR09X	1.01	N/A	2.75	1.14	1.76
PR19X	1.01	N/A	2.75	1.14	1.76
PR39X	1.15	N/A	2.75	1.14	1.76
SPR19X	1.01	3.09	N/A	N/A	N/A
XPR19X	1.01	N/A	2.75	2.11	1.76
XXPR19X	1.01	N/A	2.75	1.50	1.76



OPTIONAL "CROSS HANDLE"



OPTIONAL "ROUND HANDLE"



OPTIONAL "LOOSE KEY"

Listings & Certifications:

- IAPMO listed to ASME A112.18.1 / CSA B125.1 (includes NSF/ANSI372 & NSF61)



This specification and all information contained herein is the confidential and exclusive property of Brasscraft Manufacturing Company and shall not be disclosed to others without the written consent of Brasscraft Mfg. Co. This specification must be returned to Brasscraft Mfg. Co. if requested.

BrassCraft[®]