


Job Name		Engineer / Architect	
Job Location		Wholesaler	
Submittal Date		Contractor	

FR19X/FR39X Multi-Turn Angle Stop – Sweat x Flare

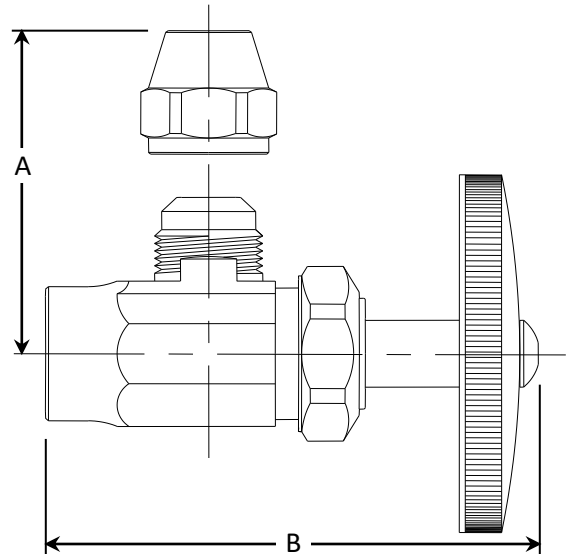
Use: For use with potable water systems in accessible locations only. Not intended for recirculating water systems that produce continuous use temperatures above 115° F. For those applications, use our KT™ series ball stops.

Design Features:

- **Machined one-piece brass body** provides strength, durability, and long-lasting performance
- **Oval knurled handle** provides a secure grip and smooth on/off operation
- **Easy-to-remove handle** with screw attachment protects accidental stop operation during rough-ins
- 

Operating Specifications:

Temperature: 40°- 140° F
Pressure: 125 PSI maximum



STOP MATERIAL SPECIFICATIONS	
Body	Brass or brass, plated
Stem	Brass
Bib & Packing Washers	Rubber
Packing Nut	Brass or brass, plated
Handle	Metal
Handle Screw	Steel, zinc plated
Flare Nut	Brass or brass, plated

PART DIMENSION (Inches)		
Model	DIM. A	DIM. B
FR19X	1.18	2.50
FR39X	1.30	2.56

Part Listing:

- FR19X C 1/2" nom sweat x 3/8" OD flare, chrome
- FR19X R 1/2" nom sweat x 3/8" OD flare, rough brass
- FR39X C 1/2" nom sweat x 1/2" OD flare, chrome

Listings & Certifications:

- IAPMO listed to ASME A112.18.1 / CSA B125.1 (includes NSF/ANSI372 & NSF61)



This specification and all information contained herein is the confidential and exclusive property of Brasscraft Manufacturing Company and shall not be disclosed to others without the written consent of Brasscraft Mfg. Co. This specification must be returned to Brasscraft Mfg. Co. if requested.

BrassCraft®