

For Residential and Commercial Applications

Job Name		Engineer / Architect	
Job Location		Wholesaler	
Submittal Date		Contractor	

T3341 Multi-Turn Angle Stop w/ Stuffing Box - Compression x Slip-Joint

Use: For use in potable water distribution systems in accessible locations only. Not intended for recirculation systems/continuous use of temperatures above 115°F. For those applications, use our KT™ series ball stop.

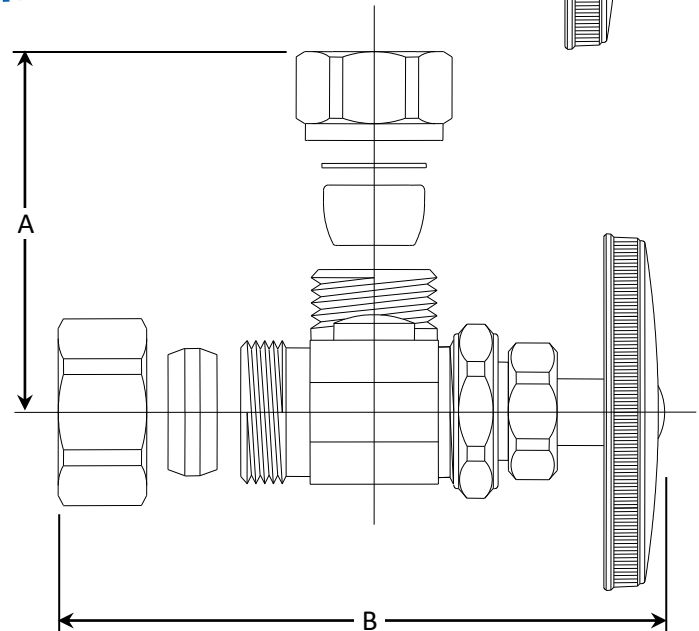
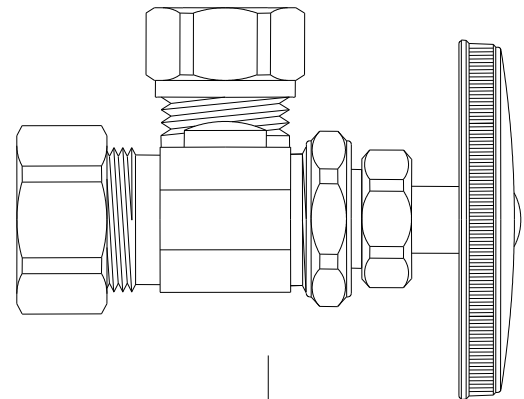
Design Features:

- **Machined one-piece brass body** provides strength, durability, and long-lasting performance
- **Knurled oval handle** provides a secure grip and smooth on/off operation



Operating Specifications:

Temperature: 40° - 140° F
Pressure: 125 PSI maximum



STOP MATERIAL SPECIFICATIONS	
Body	Brass, plated
Stem	POM or brass
Bib & Packing Washers	Nitrile or EPDM rubber
Bonnet Nut & Stuffing Box	Brass, plated
Handle	ABS, plated
Handle Screw	Steel, zinc plated
Slip-Joint Washer	NBR rubber
Slip-Joint Nut	Brass, plated
Friction Ring	Brass

PART DIMENSIONS (Inches)		
Model	DIM. A	DIM. B
T3341	1.18	3.03

Part Listing:

- T3341X C 1/2" OD compression x 7/16" & 1/2" slip-joint w/stuffing box, chrome plated

Listings & Certifications:

- IAPMO listed to ASME A112.18.1 / CSA B125.1 (includes NSF/ANSI 372 & NSF61)



This specification and all information contained herein is the confidential and exclusive property of Brasscraft Manufacturing Company and shall not be disclosed to others without the written consent of Brasscraft Mfg. Co. This specification must be returned to Brasscraft Mfg. Co. if requested.

