

Job Name		Engineer / Architect	
Job Location		Wholesaler	
Submittal Date		Contractor	

## TCR19X Multi-Turn Angle Stop w/ Stuffing Box - Compression x Compression

**Use:** For use in potable water distribution systems in accessible locations only. Not intended for recirculation systems/continuous use of temperatures above 115°F. For those applications, use our KT™ series ball stop.

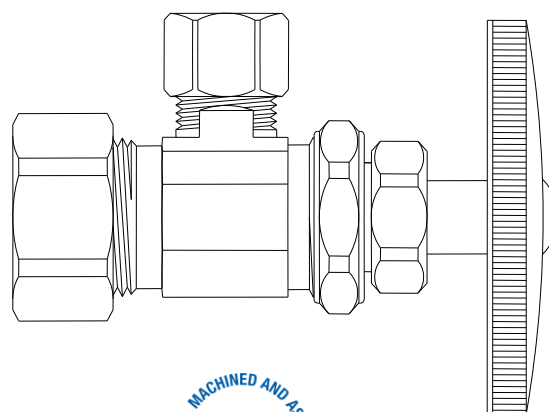
**Design Features:**

- **Machined one-piece brass body** provides strength, durability and long-lasting performance
- **Oval knurled handle** provides a secure grip and smooth on/off operation
- **Easy-to-remove handle** with screw attachment protects accidental stop operation during rough-ins



**Operating Specifications:**

**Temperature:** 40° - 140° F  
**Pressure:** 125 PSI maximum



STOP MATERIAL SPECIFICATIONS	
<b>Body</b>	Brass, plated
<b>Stem</b>	Brass
<b>Bib &amp; Packing Washers</b>	Nitrile or EPDM rubber
<b>Packing Nut</b>	Brass, plated
<b>Handle</b>	Zinc die cast or ABS, plated
<b>Handle Screw</b>	Steel, zinc plated
<b>Compression Sleeve</b>	Brass
<b>Compression Nut</b>	Brass, plated

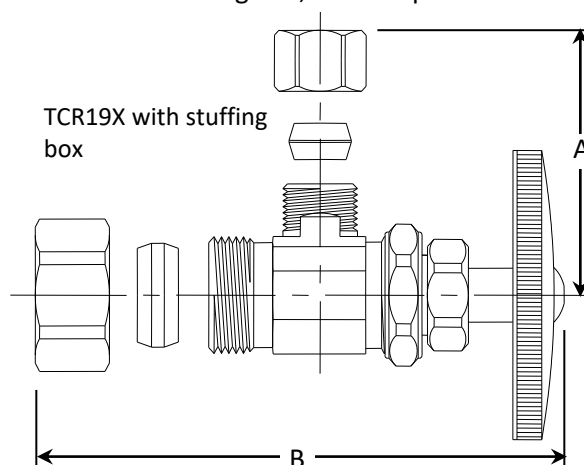
**Part Listing:**

- TCR19X C 1/2" nom compression x 3/8" OD compression with stuffing box, chrome plated

PART DIMENSIONS (Inches)		
Model	DIM. A	DIM. B
TCR19X	1.02	2.85

**Listings & Certifications:**

- IAPMO listed to ASME A112.18.1 / CSA B125.1 (includes NSF/ANSI372 & NSF61)



This specification and all information contained herein is the confidential and exclusive property of Brasscraft Manufacturing Company and shall not be disclosed to others without the written consent of Brasscraft Mfg. Co. This specification must be returned to Brasscraft Mfg. Co. if requested.

**BrassCraft**®