

For Residential and Commercial Applications

Job Name		Engineer / Architect	
Job Location		Wholesaler	
Submittal Date		Contractor	

G2CR19B12DL Braided One-Piece Toilet Supply Kit - Compression 1/4 Turn Angle Stop

Use: For use in potable water distribution systems in accessible locations only. Not intended for recirculating systems that produce continuous use temperatures above 115° F. For those applications, use our KT™ series supply kits.

Design Features:

- **Everything you need.** These kits combine our trusted supply stop, braided water connector, and escutcheon for an easy-to-install, one-piece connection.
-

Braided connector provides:

- **Corrosion Resistance** to harsh chemicals found in most common household cleaning and plumbing repair products
- **More flexible than stainless steel**, the braided polymer-coated fibers bend freely without kinking or crimping
- **Rubber washers** provide a large pliable sealing surface and ensures a long lasting water tight connection

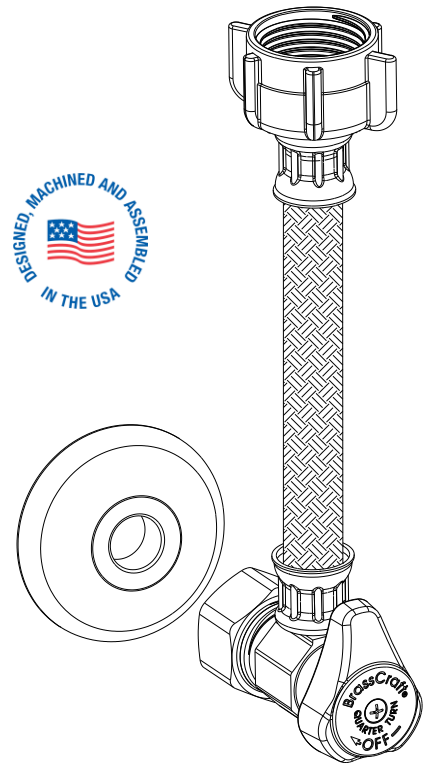
G2™ quarter turn stop provides:

- **One-piece shut-off mechanism** provides smooth on-off operation
- **Positive** 1/4 turn shut-off

Operating Specifications:

Temperature: 40° - 160° F, intermittent to 180° F
Pressure: 125 PSI maximum

Tubing Diameter: 0.300" ID (0.550" OD)



Includes 1/2" nom shallow escutcheon (see 649 submittal form for details)

This specification and all information contained herein is the confidential and exclusive property of Brasscraft Manufacturing Company and shall not be disclosed to others without the written consent of Brasscraft Mfg Co. This specification must be returned to Brasscraft Mfg. Co. if requested.



G2CR19B12DL Braided One-Piece Toilet Supply Kit - Compression 1/4 Turn Angle Stop

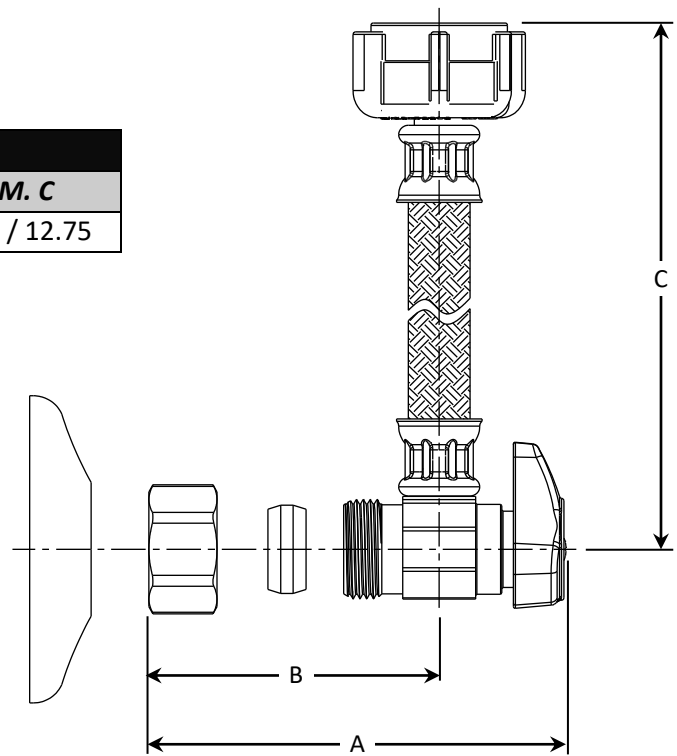
CONNECTOR MATERIAL SPECIFICATIONS	
Inner Hose	Reinforced PVC
Braiding	PVC coated polyester yarn
Barb	Brass
Ferrule	Steel, zinc plated
Ballcock Nut	Polypropylene
Washer	Rubber
O Ring	Rubber
Escutcheon	Stainless steel

STOP MATERIAL SPECIFICATIONS	
Body	Brass, plated
Stem Barrel	TPE
Stem Shaft	Polypropylene
Stem O-ring	Rubber
Handle	ABS, plated or zinc die cast, plated
Handle Screw	Steel, zinc plated
Compression Nut	Brass, plated
Compression Sleeve	Brass

Part Listing:

- G2CR19B12DLX C 1/2" nom compression x 3/8" OD compression 1/4 turn stop with 1/2" FIP nut x 12" length braided connector, shallow escutcheon, chrome finish

PART DIMENSIONS (Inches)			
Model	DIM. A	DIM. B	DIM. C
G2CR19B12DLX	2.16	1.13	12.25 / 12.75



Listings & Certifications:

- IAPMO listed to ASME A112.18.1 / CSA B125.1 (includes NSF/ANSI372 and NSF61)



This specification and all information contained herein is the confidential and exclusive property of Brasscraft Manufacturing Company and shall not be disclosed to others without the written consent of Brasscraft Mfg Co. This specification must be returned to Brasscraft Mfg. Co. if requested.

BrassCraft®