

Job Name		Engineer / Architect	
Job Location		Wholesaler	
Submittal Date		Contractor	

## PR19B600DW6 Braided One-Piece Dishwasher Supply Kit – CPVC Multi-Turn Angle Stop

**Use:** For use with water in accessible locations only. Not intended for recirculating systems that produce continuous use temperatures above 115° F. For those applications, use our KT™ series supply kits.

**Design Features:**

- **Easy to install.** This kit combines our trusted BrassCraft® supply stop, braided water connector, elbow fitting, and escutcheon for an easy-to-install connection

**Braided connector provides:**

- **Superior corrosion resistance** to harsh chemicals found in common household cleaning and plumbing repair products
- **More flexible than stainless steel,** the braided polymer-coated fibers bend freely without kinking or crimping
- **Tough inner core** is reinforced to resist chlorine and chloramine leaching and deterioration
- **Nitrile rubber washers** provide a large pliable sealing surface and ensure a long lasting water tight connection
- **8-sided pneumatic crimp** provides greater dependability for reliable nut-to-hose connections

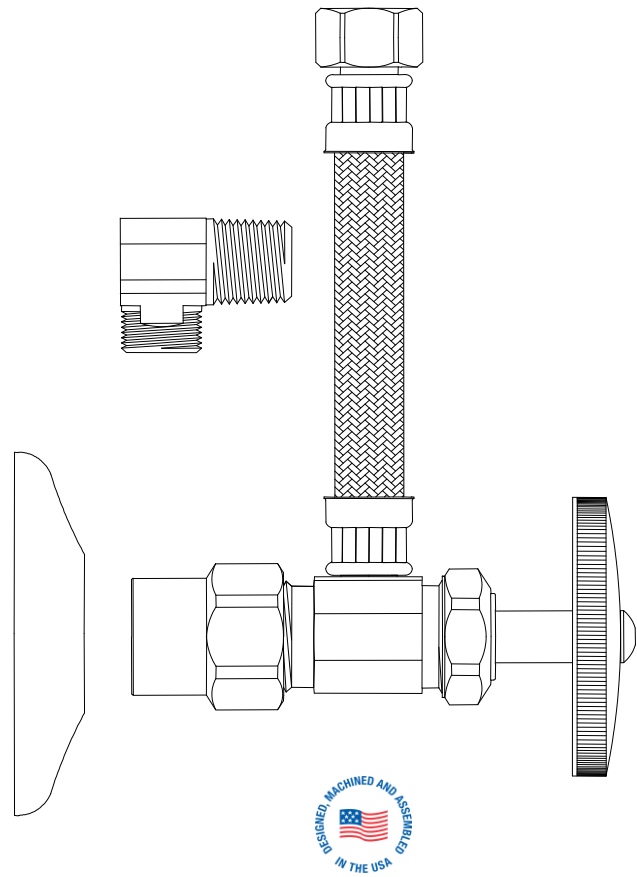
**Multi-turn stop provides:**

- **Machined one-piece brass body** provides strength, durability and long-lasting performance
- **Oval knurled handle** provides a secure grip and smooth on/off operation
- **Easy-to-remove handle** with screw attachment helps protect against accidental stop operation during rough-ins

**Operating Specifications:**

**Temperature:** 40° - 140° F, intermittent to 180° F  
**Pressure:** 125 PSI maximum

**Tubing Diameter:** 0.300" ID (0.517" OD)



*This specification and all information contained herein is the confidential and exclusive property of BrassCraft Manufacturing, and shall not be disclosed to others without the written consent of BrassCraft Mfg. This specification must be returned to BrassCraft Mfg if requested.*

**BrassCraft®**

# PR19B600DW6 Braided One-Piece Dishwasher Supply Kit – CPVC Multi-Turn Angle Stop

CONNECTOR MATERIAL SPECIFICATIONS	
Inner Hose	Reinforced PVC
Braiding	PVC coated polyester yarn
Barb	Compliant brass
Ferrules	Steel, zinc-plated
Connector Nut	Brass, chrome-plated
Washer	Nitrile rubber

3/8" MIP Elbow	Brass, chrome-plated
Escutcheon	Stainless steel

STOP MATERIAL SPECIFICATIONS	
Body	Brass, chrome-plated
Stem	POM
Packing Nut	Brass, chrome-plated
Bib & Packing Washers	Nitrile rubber
Handle	Chrome plated ABS or Polycarbonate
Handle Screw	Steel, zinc-plated
CPVC Insert	CPVC 23447-B
CPVC Washer	Nitrile rubber
CPVC Nut	Brass, chrome-plated

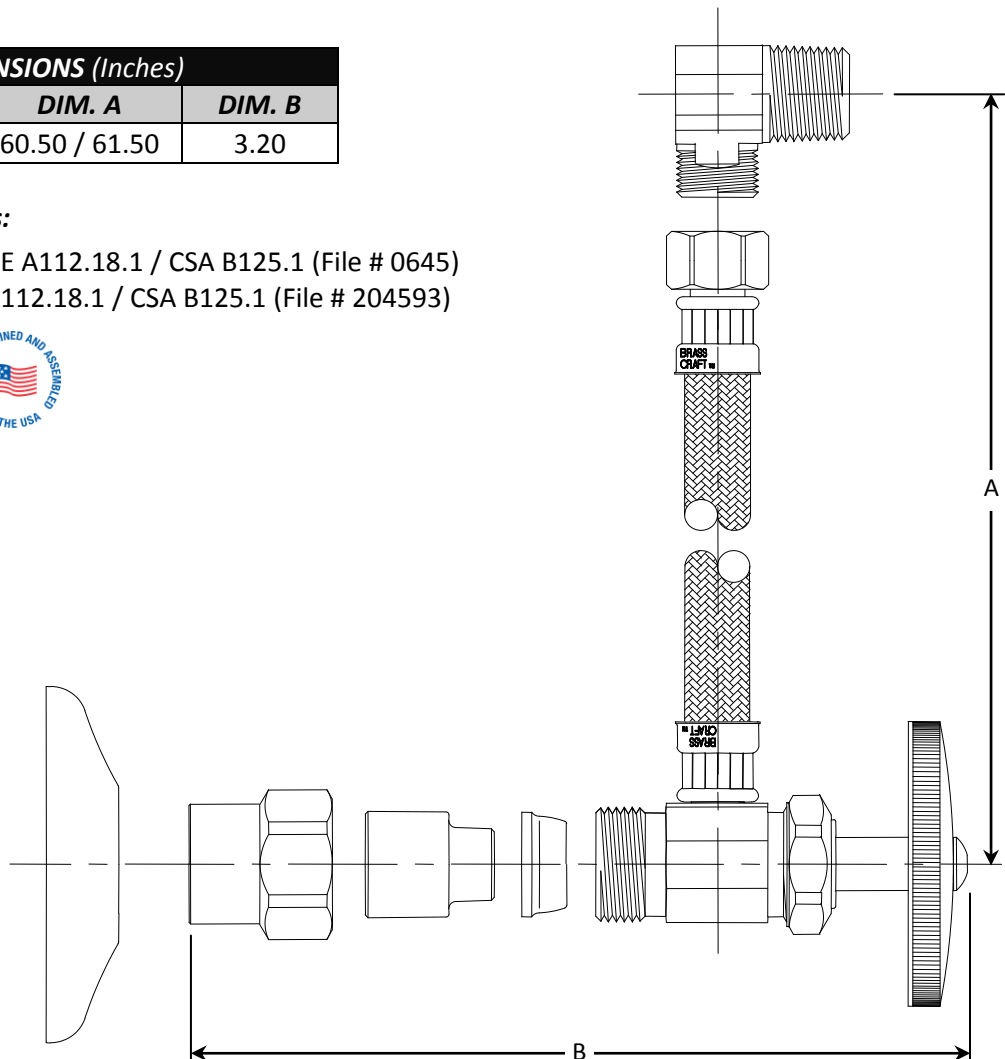
**Part Listing:**

- PR19B600DW6 C 1/2" nom CPVC stop inlet x 3/8" OD compression nut x 60" length with 3/8" MIP elbow and shallow escutcheon, chrome plated

PART DIMENSIONS (Inches)		
Model	DIM. A	DIM. B
PR19B600DW6	60.50 / 61.50	3.20

**Listings & Certifications:**

- IAPMO listed to ASME A112.18.1 / CSA B125.1 (File # 0645)
- CSA listed to ASME A112.18.1 / CSA B125.1 (File # 204593)



This specification and all information contained herein is the confidential and exclusive property of BrassCraft Manufacturing, and shall not be disclosed to others without the written consent of BrassCraft Mfg. This specification must be returned to BrassCraft Mfg if requested.

