

*For Residential and Commercial Applications*

Job Name		Engineer / Architect	
Job Location		Wholesaler	
Submittal Date		Contractor	

## OCR19B9/12/16DLX Braided One-Piece Toilet Supply Kit - Multi-Turn Angle Stop Compression x Compression

**Use:** For use in potable water distribution systems in accessible locations only. Not intended for recirculating systems that produce continuous use temperatures above 115° F. For those applications, use our KT™ series supply kits.

**Design Features:**

- **Everything you need.** These kits combine our trusted supply stop, braided water connector, and escutcheon for an easy-to-install, one-piece connection.



**Braided connector provides:**

- **Corrosion Resistance** to harsh chemicals found in most common household cleaning and plumbing repair products
- **More flexible than stainless steel**, the braided polymer-coated fibers bend freely without kinking or crimping
- **Rubber washers** provide a large pliable sealing surface and ensures a long lasting water tight connection

**Multi-turn stop provides:**

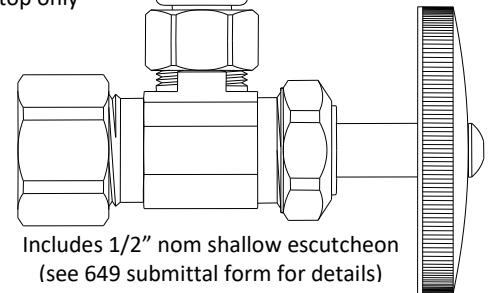
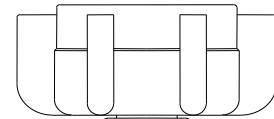
- **Machined one-piece brass body** provides strength, durability, and long-lasting performance
- **Oval knurled handle** provides a secure grip and smooth on/off operation
- **Easy-to-remove handle** with screw attachment helps protect against accidental stop operation during rough-ins

**Operating Specifications:**

**Temperature:** 40° - 160° F, intermittent to 180° F

**Pressure:** 125 PSI maximum

**Tube Diameter:** 0.300" ID (0.550" OD)



Includes 1/2" nom shallow escutcheon (see 649 submittal form for details)

CONNECTOR MATERIAL SPECIFICATIONS	
<b>Inner Hose</b>	Reinforced PVC
<b>Braiding</b>	PVC yarn
<b>Barb</b>	Brass
<b>Ferrule</b>	Steel, plated
<b>Nut</b>	Brass
<b>Washer</b>	Rubber
<b>Shallow Escutcheon</b>	Stainless steel

STOP MATERIAL SPECIFICATIONS	
<b>Body</b>	Brass, plated
<b>Stem</b>	POM
<b>Bib &amp; Packing Washers</b>	Rubber
<b>Packing Nut</b>	Brass, plated
<b>Handle</b>	Zinc, die cast plated
<b>Screw</b>	Steel, zinc plated
<b>Compression Nut</b>	Brass, plated
<b>Compression Sleeve</b>	Brass

*This specification and all information contained herein is the confidential and exclusive property of Brasscraft Manufacturing Company and shall not be disclosed to others without the written consent of Brasscraft Mfg Co. This specification must be returned to Brasscraft Mfg. Co. if requested.*

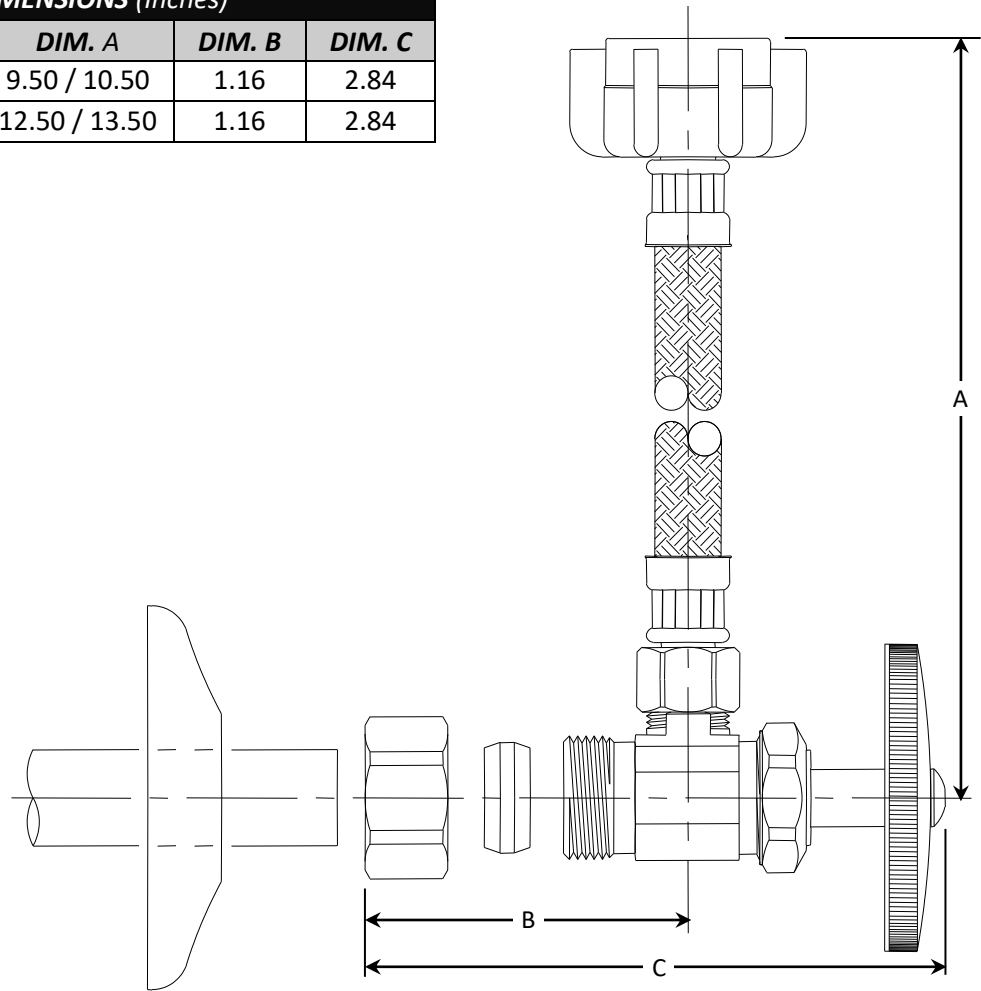


# OCR19B9/12/16DLX Braided One-Piece Toilet Supply Kit - Multi-Turn Angle Stop Compression x Compression

**Part Listing:**

- OCR19B9DLX C      1/2" nom compression x 3/8" OD compression multi-turn stop with 7/8" ballcock nut x 9" length braided connector, shallow escutcheon, chrome finish
- OCR19B12DLX C      1/2" nom compression x 3/8" OD compression multi-turn stop with 7/8" ballcock nut x 12" length braided connector, shallow escutcheon, chrome finish
- OCR19B12DLMX C      1/2" nom compression x 3/8" OD compression multi-turn stop with 7/8" ballcock metal nut x 12" length braided connector, shallow escutcheon, chrome finish

<b>PART DIMENSIONS (Inches)</b>			
Model	DIM. A	DIM. B	DIM. C
OCR19B9DLX	9.50 / 10.50	1.16	2.84
OCR19B12DLX/DLMX	12.50 / 13.50	1.16	2.84



**Listings & Certifications:**

**Stops**

- IAPMO listed to ASME A112.18.1 / CSA B125.1 (includes NSF/ANSI 372 and NSF/ANSI/CAN 61)

**Connectors**

- IAPMO listed to ASME A112.18.6 / CSA B125.6 (includes NSF/ANSI372 and NSF/ANSI/CAN 61)



*This specification and all information contained herein is the confidential and exclusive property of Brasscraft Manufacturing Company and shall not be disclosed to others without the written consent of Brasscraft Mfg Co. This specification must be returned to Brasscraft Mfg. Co. if requested.*

