

For Residential and Commercial Applications

Job Name		Engineer / Architect	
Job Location		Wholesaler	
Submittal Date		Contractor	

KTCR19B12DL Braided One-Piece Toilet Supply Kit - 1/4 Turn Angle Ball Stop Compression x Compression

Use: For use in potable water distribution systems in accessible locations only.

Design Features:

- **Everything you need.** These kits combine our trusted supply stop, braided water connector, and escutcheon for an easy-to-install, one-piece connection.
- **✓**

Braided connector provides:

- **Corrosion Resistance** to harsh chemicals found in most common household cleaning and plumbing repair products
- **More flexible than stainless steel,** the braided polymer-coated fibers bend freely without kinking or crimping
- **Rubber washers** provide a large pliable sealing surface and ensures a long lasting water tight connection

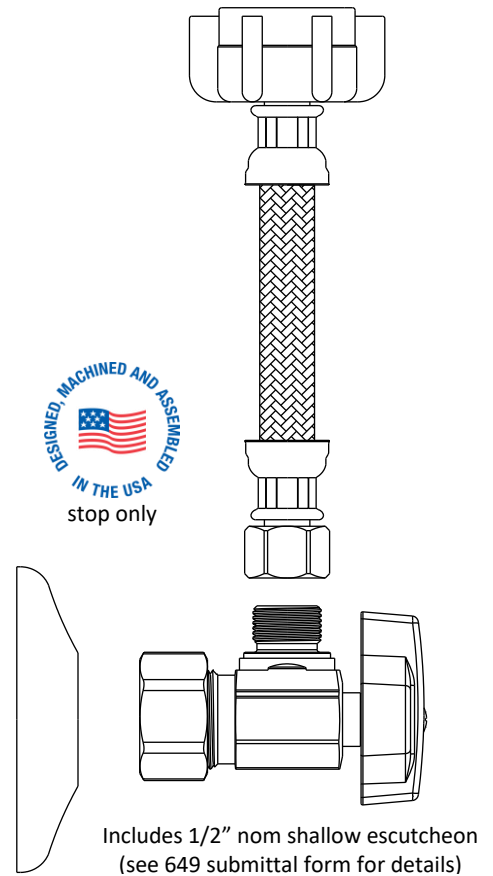
KT™ 1/4 turn stop provides:

- **Machined brass ball** is specially engineered and mated with fluorocarbon seats to provide smooth operation
- **Two high-performance o-rings** withstand high temperatures and corrosion
- **Machined one-piece brass body** provides strength, durability, and long-lasting performance
- **Brass stems** are assembled from the inside out with two o-rings to ensure safe, reliable performance
- **Plated stems** provide corrosion resistance and prevent o-ring damage

Operating Specifications:

Temperature: 40°- 180° F
Pressure: 125 PSI maximum

Tubing Diameter: 0.300" ID (0.550" OD)



This specification and all information contained herein is the confidential and exclusive property of Brasscraft Manufacturing Company and shall not be disclosed to others without the written consent of Brasscraft Mfg Co. This specification must be returned to Brasscraft Mfg. Co. if requested.



KTCR19B12DL Braided One-Piece Toilet Supply Kit - 1/4 Turn Angle Ball Stop Compression x Compression

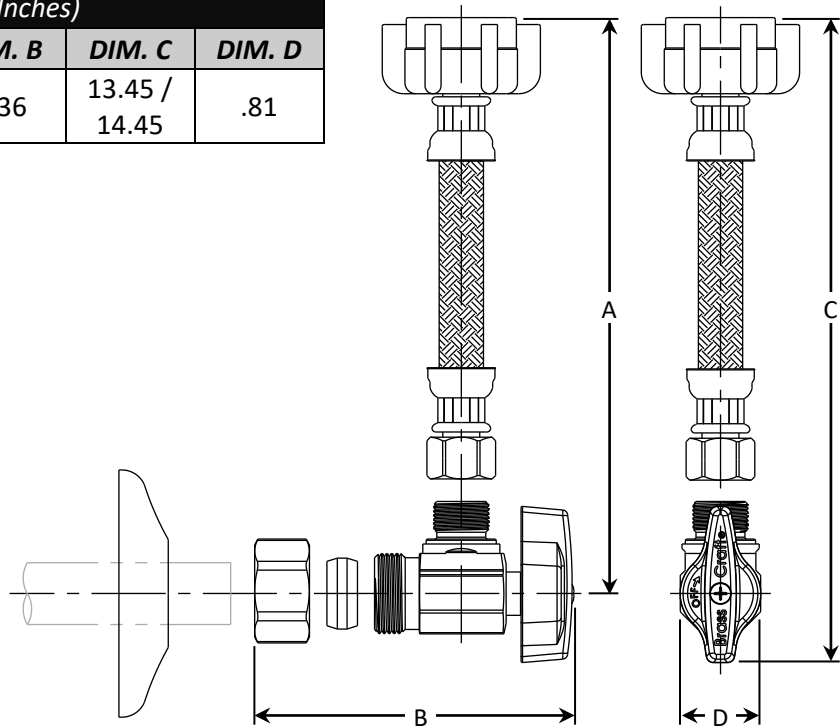
CONNECTOR MATERIAL SPECIFICATIONS	
Inner Hose	Reinforced PVC
Barb	Brass
Seal	Rubber
Ferrule	Stainless steel
Compression Nut	Brass
Connector Washer	Rubber
Ballcock Nut	Polypropylene or brass
Braiding	PVC yarn
Shallow Escutcheon	Stainless steel

STOP MATERIAL SPECIFICATIONS	
Body	Brass, plated
Stem	Brass, plated
Ball	Brass, plated
Seats	PTFE
Stem o-ring	Rubber
Handle	Zinc, die cast plated
Screw	Steel, zinc plated
Compression Sleeve	Brass
Compression Nut	Brass, plated

Part Listing:

- KTCR19B12DLX C 1/2" nom compression x 3/8" OD compression 1/4 turn ball stop with 7/8" ballcock nut x 12" length braided connector, chrome finish
- KTCR19B12DLMX C 1/2" nom compression x 3/8" OD compression 1/4 turn ball stop with 7/8" ballcock metal nut x 12" length braided connector, chrome finish

PART DIMENSIONS (Inches)				
Model	DIM. A	DIM. B	DIM. C	DIM. D
KTCR19B12DLX/DLMX	12.75 / 13.75	2.36	13.45 / 14.45	.81



Listings & Certifications:

Stops

- IAPMO listed to ASME A112.18.1 / CSA B125.1 (includes NSF/ANSI372 and NSF61)

Connectors

- IAPMO listed to ASME A112.18.6 / CSA B125.6 (includes NSF/ANSI372 and NSF61)



This specification and all information contained herein is the confidential and exclusive property of Brasscraft Manufacturing Company and shall not be disclosed to others without the written consent of Brasscraft Mfg Co. This specification must be returned to Brasscraft Mfg. Co. if requested.

BrassCraft®