

**For Residential and Commercial Applications**

Job Name		Engineer / Architect	
Job Location		Wholesaler	
Submittal Date		Contractor	

## OCR1412DLX Copper Toilet Supply Kit – Compression Multi-Turn Straight Stop

**Use:** For use in potable water distribution systems in accessible locations only. Not intended for recirculating water systems that produce continuous use temperatures above 115° F. For those applications, use our KT™ series ball stop supply kits.

**Design Features:**

- **Everything you need.** These kits combine our trusted supply stop, copper riser, and escutcheon for an easy-to-install connection



**Copper riser provides:**

- **One-piece construction**
- **Cut-to-Length** for clean, professional installation

**Multi-turn stop provides:**

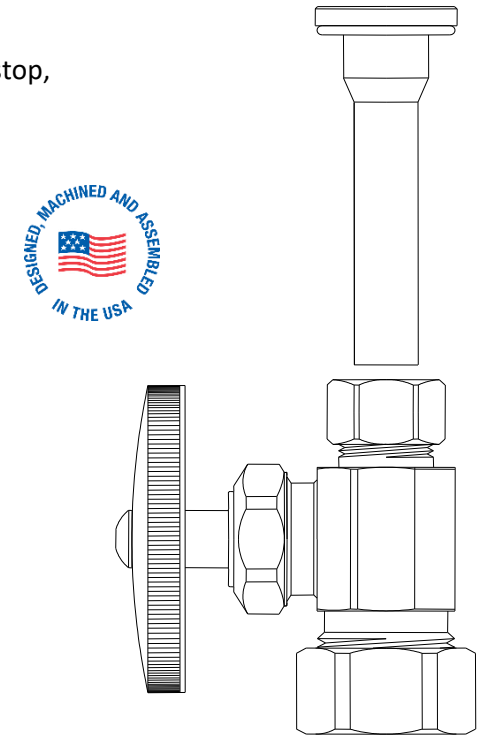
- **Machined one-piece brass body** provides strength, durability, and long-lasting performance
- **Oval knurled handle** provides a secure grip and smooth on/off operation
- **Easy-to-remove handle** with screw attachment helps protect against accidental stop operation during rough-ins

**Operating Specifications:**

**Temperature:** 40°- 140° F

**Pressure:** 125 PSI maximum

**Tubing Diameter:** 0.38" OD



Includes 1/2" nom shallow escutcheon (see 649 submittal form for details)

**CONNECTOR MATERIAL SPECIFICATIONS**

<b>Tube</b>	Copper
<b>Nosepiece</b>	POM
<b>Escutcheon</b>	Stainless steel

**STOP MATERIAL SPECIFICATIONS**

<b>Body</b>	Brass, plated
<b>Stem</b>	POM
<b>Bib &amp; Packing Washers</b>	Rubber
<b>Packing Nut</b>	Brass, plated
<b>Handle</b>	ABS, plated
<b>Handle Screw</b>	Zinc die cast, plated; ABS, plated; or polycarbonate
<b>Compression Nut &amp; Sleeve</b>	Brass

*This specification and all information contained herein is the confidential and exclusive property of Brasscraft Manufacturing Company and shall not be disclosed to others without the written consent of Brasscraft Mfg. Co. This specification must be returned to BrassCraft Mfg. Co. if requested.*

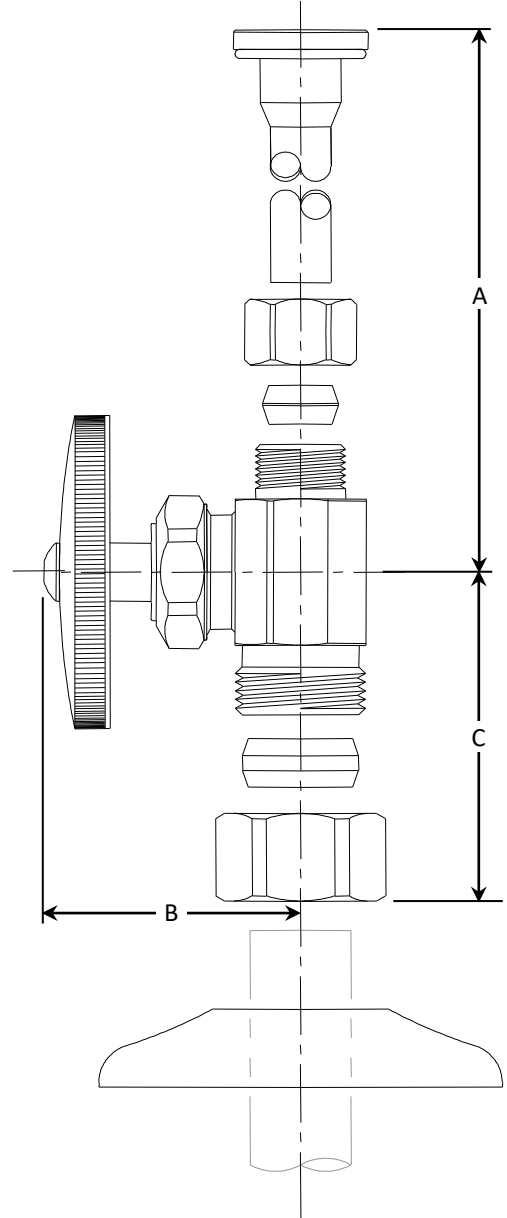


# OCR1412DLX Copper Toilet Supply Kit – Compression Multi-Turn Straight Stop

**Part Listing:**

- OCR1412DLX C      1/2" nom compression x 3/8" OD compression multi-turn stop with 3/8" OD tube x 11-1/2" length riser, shallow escutcheon, chrome

<b>PART DIMENSIONS (Inches)</b>			
<b>Model</b>	<b>DIM. A</b>	<b>DIM. B</b>	<b>DIM. C</b>
OCR1412DLX	12.03	1.59	1.31



**Listings & Certifications:**

- IAPMO listed to ASME A112.18.1/CSA B125.1 (includes NSF/ANSI372 and NSF61)



*This specification and all information contained herein is the confidential and exclusive property of Brasscraft Manufacturing Company and shall not be disclosed to others without the written consent of Brasscraft Mfg. Co. This specification must be returned to BrassCraft Mfg. Co. if requested.*

**BrassCraft®**