

Job Name		Engineer / Architect	
Job Location		Wholesaler	
Submittal Date		Contractor	

OCR1912/1920/3912DLX Copper Toilet Supply Kit - Multi-Turn Compression Angle Stop

Use: For use in potable water distribution systems in accessible locations only. Not intended for recirculating water systems that produce continuous use temperatures above 115° F. For those applications, use our KT™ series ball stop supply kits.

Design Features:

- **Everything you need.** These kits combine our trusted supply stop, copper riser, and escutcheon for an easy-to-install connection



Copper riser provides:

- **One-piece** construction
- **Cut-to-length** for a clean, professional installation

Multi-turn stop provides:

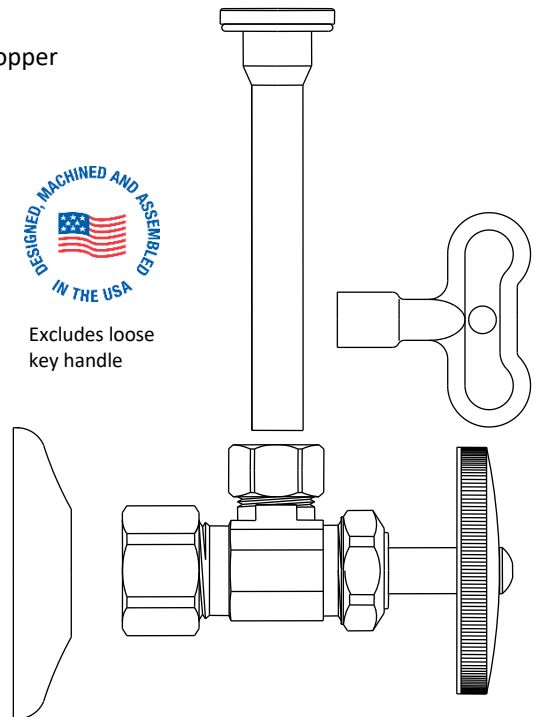
- **Machined one-piece brass body** provides strength, durability, and long-lasting performance
- **Knurled handle** provides a secure grip and smooth on/off operation
- **Easy-to-remove handle** helps protect against accidental stop operation during rough-ins

Operating Specifications:

Temperature: 40°- 140° F

Pressure: 125 PSI maximum

Tube Diameter: 0.38" OD or 0.50" OD



CONNECTOR MATERIAL SPECIFICATIONS

Tube	Copper, plated
Nosepiece	Rubber

Escutcheon	Stainless steel
-------------------	-----------------

Loose Key	Zinc, die cast
Loose Key Stem	Brass, plated
Lock Shield	Brass, plated

STOP MATERIAL SPECIFICATIONS

Body	Brass, plated
Stem	POM or brass, plated
Handle	Zinc, die cast plated; ABS, plated; or Polycarbonate
Handle Screw	Steel, zinc plated
Bib & Packing Washer	Rubber
Packing Nut	Brass, plated
Compression Sleeve	Brass
Compression Nuts	Brass, plated

This specification and all information contained herein is the confidential and exclusive property of Brasscraft Manufacturing Company and shall not be disclosed to others without the written consent of Brasscraft Mfg. Co. This specification must be returned to Brasscraft Mfg. Co. if requested.

400.242 OCR19**/39**DLX Multi-Turn Toilet Supply Kit—Comp Stop REV 9.19

BrassCraft®

©2019 Brasscraft Manufacturing Company

OCR1912/1920/3912DLX Copper Toilet Supply Kit - Multi-Turn Compression Angle Stop

Part Listing:

<input type="checkbox"/>	OCR1912EX C	1/2" nom compression x 3/8" OD compression multi-turn stop with 3/8" OD tube x 11-1/2" length riser, shallow escutcheon, chrome
<input type="checkbox"/>	OCR1912DEX C	1/2" nom compression x 3/8" OD compression multi-turn stop with 3/8" OD tube x 11-1/2" length riser, shallow escutcheon, chrome
<input type="checkbox"/>	OCR1912DLX C	1/2" nom compression x 3/8" OD compression multi-turn stop with 3/8" OD tube x 11-1/2" length riser, shallow escutcheon, chrome
<input type="checkbox"/>	OCR1912DLX BZ	1/2" nom compression x 3/8" OD compression multi-turn stop with 3/8" OD tube x 11-1/2" length riser, shallow escutcheon, oil rubbed bronze
<input type="checkbox"/>	OCR1912DLX NS	1/2" nom compression x 3/8" OD compression multi-turn stop with 3/8" OD tube x 11-1/2" length riser, shallow escutcheon, satin nickel
<input type="checkbox"/>	OCR1912DLZX C	1/2" nom compression x 3/8" OD compression multi-turn stop, brass stem with 3/8" OD tube x 11-1/2" length riser, shallow escutcheon, chrome
<input type="checkbox"/>	OCR1920DLX C	1/2" nom compression x 3/8" OD compression multi-turn stop with 3/8" OD tube x 19-1/2" length riser, shallow escutcheon, chrome
<input type="checkbox"/>	OCR1920DLX BZ	1/2" nom compression x 3/8" OD compression multi-turn stop with 3/8" OD tube x 19-1/2" length riser, shallow escutcheon, oil rubbed bronze
<input type="checkbox"/>	OCR1920DLX NS	1/2" nom compression x 3/8" OD compression multi-turn stop with 3/8" OD tube x 19-1/2" length riser, shallow escutcheon, satin nickel
<input type="checkbox"/>	OCR3912DLX C	1/2" nom compression x 1/2" OD compression multi-turn stop with 1/2" OD tube x 11-1/2" length riser, shallow escutcheon, chrome
<input type="checkbox"/>	SCR1912DLX C	1/2" nom compression x 3/8" OD compression multi-turn stop with 3/8" OD tube x 11-1/2" length riser, shallow escutcheon, chrome, loose key
<input type="checkbox"/>	SCR1912DEX C	1/2" nom compression x 3/8" OD compression multi-turn stop with 3/8" OD tube x 11-1/2" length riser, shallow escutcheon, chrome, loose key
<input type="checkbox"/>	SSCR1912DLX C	1/2" nom compression x 3/8" OD compression multi-turn stop with 3/8" OD tube x 11-1/2" length riser, shallow escutcheon, chrome, loose key, screwdriver slot
<input type="checkbox"/>	STCR1912DLX C	1/2" nom compression x 3/8" OD compression multi-turn stop with 3/8" OD tube x 11-1/2" length riser, shallow escutcheon, chrome, loose key, stuffing box, lock shield
<input type="checkbox"/>	XCR1920DLX BZ	1/2" nom compression x 3/8" OD compression multi-turn stop with 3/8" OD tube x 11-1/2" length riser, shallow escutcheon, oil rubbed bronze, cross handle
<input type="checkbox"/>	XCR1920DLX NS	1/2" nom compression x 3/8" OD compression multi-turn stop with 3/8" OD tube x 11-1/2" length riser, shallow escutcheon, satin nickel, cross handle
<input type="checkbox"/>	XXCR1912DLZX C	1/2" nom compression x 3/8" OD compression multi-turn stop, brass stem with 3/8" OD tube x 11-1/2" length riser, shallow escutcheon, chrome, with round handle

This specification and all information contained herein is the confidential and exclusive property of Brasscraft Manufacturing Company and shall not be disclosed to others without the written consent of Brasscraft Mfg. Co. This specification must be returned to BrassCraft Mfg. Co. if requested.

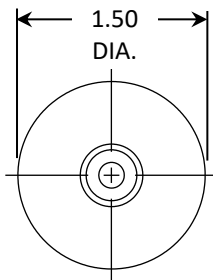
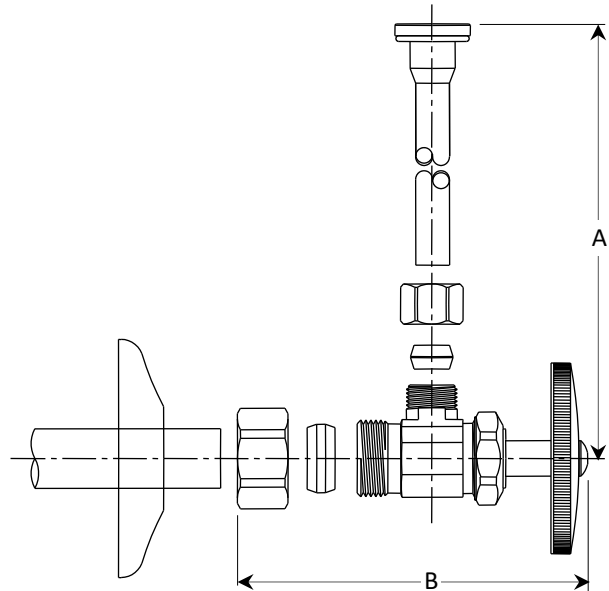
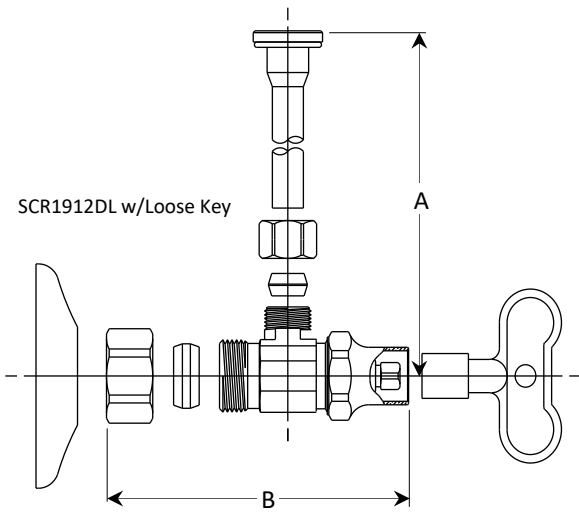
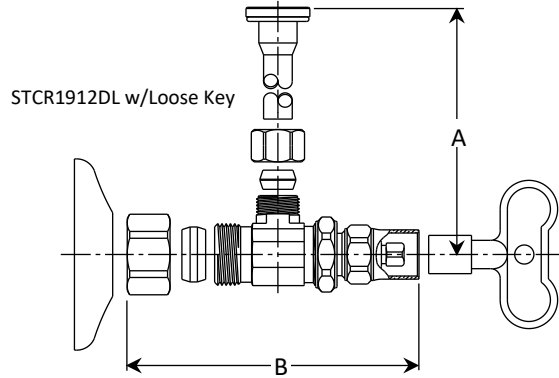
400.242 OCR19**/39**DLX Multi-Turn Toilet Supply Kit—Comp Stop REV 9.19

BrassCraft[®]

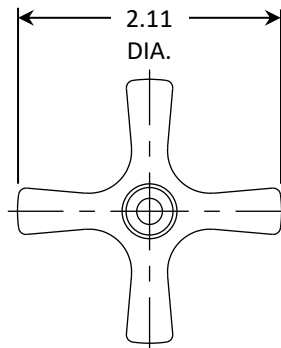
©2019 Brasscraft Manufacturing Company

OCR1912/1920/3912DLX Copper Toilet Supply Kit - Multi-Turn Compression Angle Stop

PART DIMENSIONS (Inches)		
Model	DIM. A	DIM. B
OCR1912DLX /DLZX	11.92	2.75
OCR1920DL X	19.92	2.75
OCR3912DLX	11.92	2.84
SCR1912DLX	11.92	2.64
STCR1912DLX	11.92	3.03
XCR1920DLX	19.92	2.75
XXCR1912DLZX	11.92	2.75



Round Handle



Cross-Handle

Listings & Certifications:

- IAPMO listed to ASME A112.18.1/CSA B125.1 (includes NSF/ANSI372 and NSF61)



Excludes loose key handle

This specification and all information contained herein is the confidential and exclusive property of Brasscraft Manufacturing Company and shall not be disclosed to others without the written consent of Brasscraft Mfg. Co. This specification must be returned to Brasscraft Mfg. Co. if requested.

400.242 OCR19**/39**DLX Multi-Turn Toilet Supply Kit-Comp Stop REV 9.19

BrassCraft®

©2019 Brasscraft Manufacturing Company