

For Residential and Commercial Applications

Job Name		Engineer / Architect	
Job Location		Wholesaler	
Submittal Date		Contractor	

PR1920AX Copper Faucet Supply Kit - Multi-Turn CPVC Angle Stop

Use: For use in potable water distribution systems in accessible locations only. Not intended for recirculating water systems that produce continuous use temperatures above 115° F. For those applications, use our KT™ series ball stop supply kits.

Design Features:

- **Everything you need.** These kits combine our trusted BrassCraft® supply stop, copper riser, extension tube, and escutcheon for an easy-to-install connection



Copper riser provides:

- **One-piece construction**
- **Cut-to-Length** for clean, professional installation

Multi-turn stop provides:

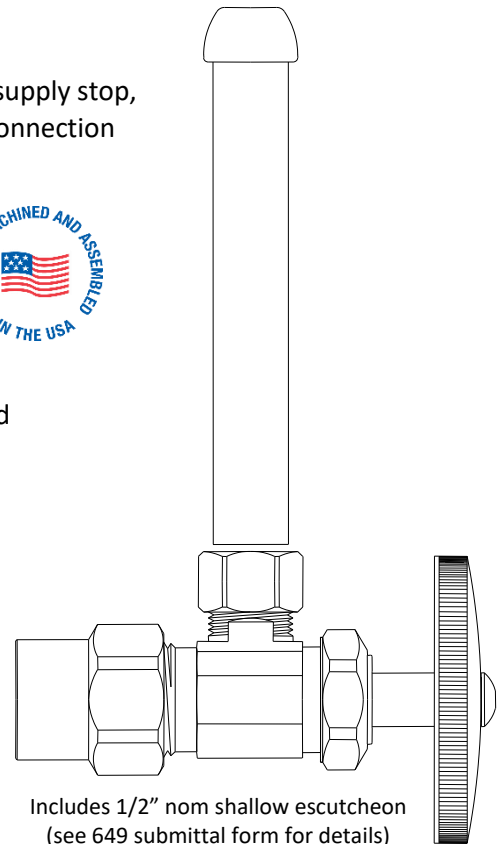
- **Machined one-piece brass body** provides strength, durability, and long-lasting performance
- **Oval knurled handle** provides a secure grip and smooth on/off operation
- **Easy-to-remove handle** with screw attachment helps protect against accidental stop operation during rough-ins

Operating Specifications:

Temperature: 40°- 160° F

Pressure: 125 PSI maximum

Tubing Diameter: 0.38" OD



Includes 1/2" nom shallow escutcheon (see 649 submittal form for details)

CONNECTOR MATERIAL SPECIFICATIONS	
Tube	Copper
Nosepiece	POM
Escutcheon	Stainless steel

STOP MATERIAL SPECIFICATIONS	
Body	Brass, plated
Stem	POM
Bib & Packing Washers	Rubber
Handle	ABS, plated
Handle Screw	Steel, zinc plated
Packing Nut	Brass, plated
Compression Nut & Sleeve	Brass, plated
CPVC Insert	CPVC
CPVC Washer	Rubber
CPVC Nut	Brass, plated

This specification and all information contained herein is the confidential and exclusive property of Brasscraft Manufacturing Company and shall not be disclosed to others without the written consent of Brasscraft Mfg. Co. This specification must be returned to Brasscraft Mfg. Co. if requested.

400.241 PR1920AX Copper Faucet Supply Kit-MT CPVC Ang Stop REV 9.19



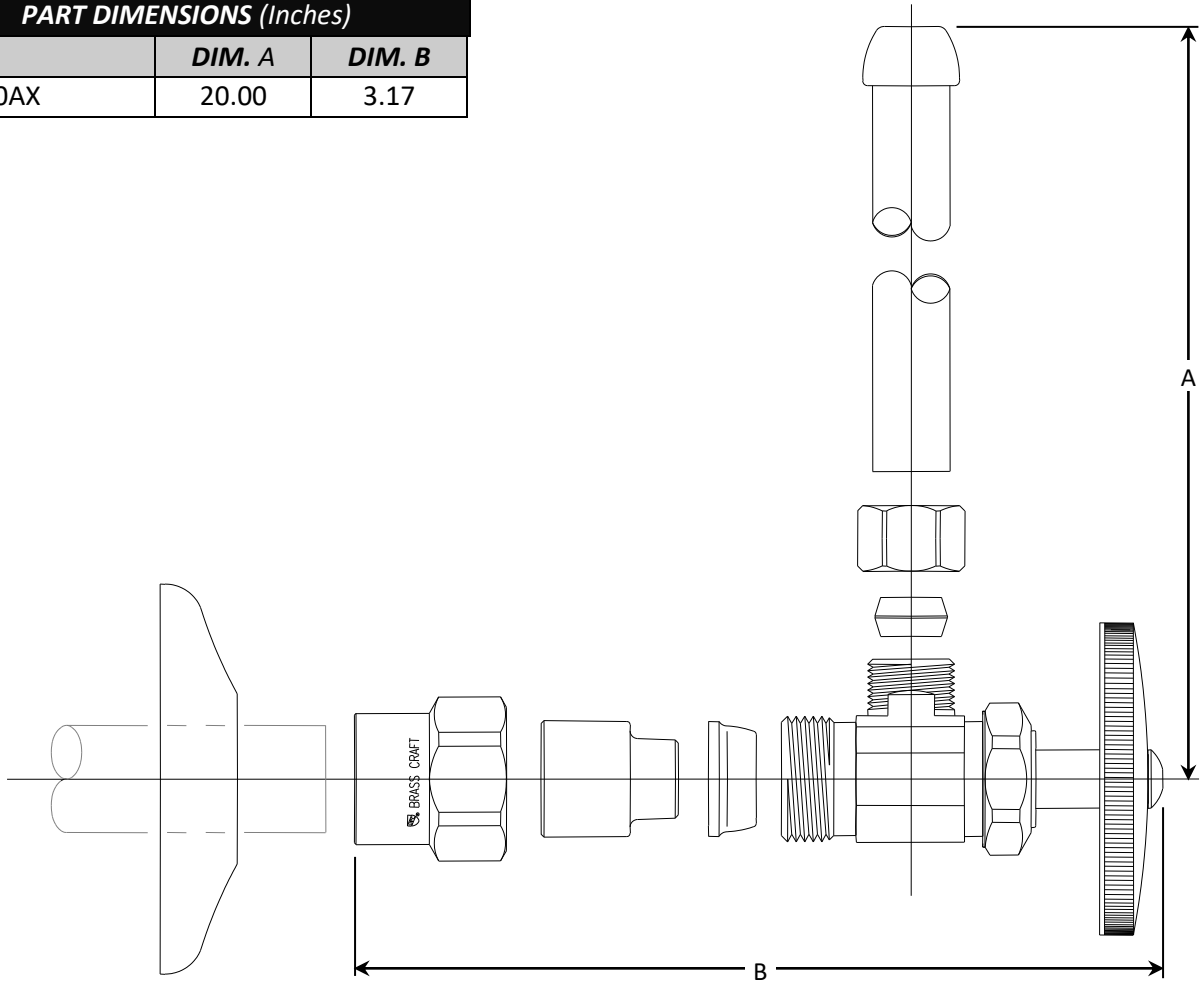
©2019 Brasscraft Manufacturing Company

PR1920AX Copper Faucet Supply Kit - Multi-Turn CPVC Angle Stop

Part Listing:

- PR1920AX C 1/2" nom CPVC x 3/8" OD compression multi-turn stop with 3/8" OD tube x 19-1/2" length copper riser & shallow escutcheon, chrome

PART DIMENSIONS (Inches)		
Model	DIM. A	DIM. B
PR1920AX	20.00	3.17



Listings & Certifications:

- IAPMO listed to ASME A112.18.1/CSA B125.1 (includes NSF/ANSI 372 and NSF/ANSI/CAN 61)



This specification and all information contained herein is the confidential and exclusive property of Brasscraft Manufacturing Company and shall not be disclosed to others without the written consent of Brasscraft Mfg. Co. This specification must be returned to BrassCraft Mfg. Co. if requested.