

|                |  |                      |  |
|----------------|--|----------------------|--|
| Job Name       |  | Engineer / Architect |  |
| Job Location   |  | Wholesaler           |  |
| Submittal Date |  | Contractor           |  |

## CS400AX/CS425AX/CS500AX Copper Faucet Supply Kit – Multi-Turn Sweat Angle Stop w/5” Extension

**Use:** For use in potable water distribution systems in accessible locations only. Not intended for recirculating water systems that produce continuous use temperatures above 115° F. For those applications, use our KT™ series ball stop supply kits.

**Design Features:**

- **Everything you need.** These kits combine our trusted BrassCraft® supply stop, copper riser, extension tube, and escutcheon for an easy-to-install connection



**Copper riser provides:**

- **One-piece** construction
- **Cut-to-length** for a clean, professional installation

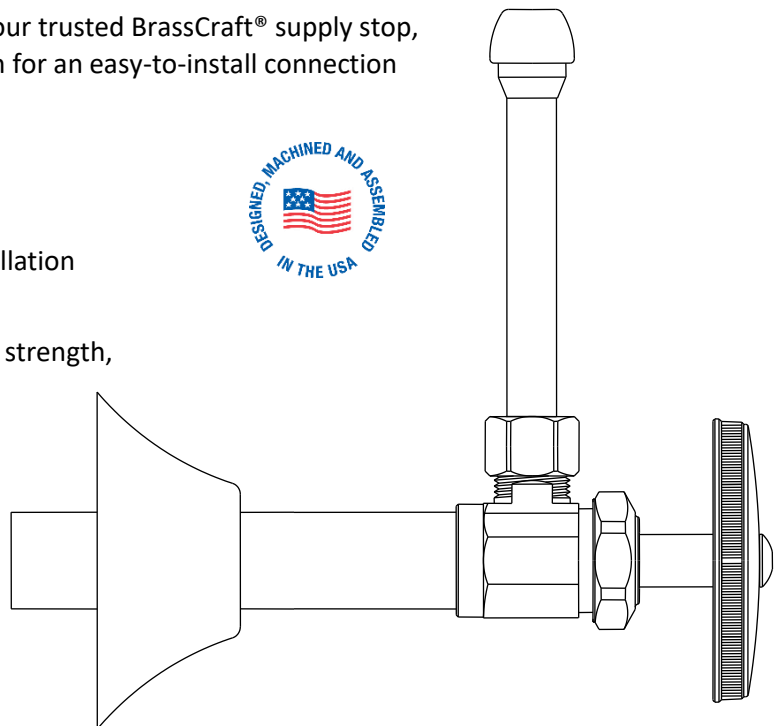
**Multi-turn stop provides:**

- **Machined one-piece brass body** provides strength, durability, and long-lasting performance
- **Easy-to-remove handle** with screw attachment helps protect against accidental stop operation during rough-ins
- **Oval knurled handle** provides a secure grip and smooth on/off operation

**Operating Specifications:**

**Temperature:** 40°- 140° F  
**Pressure:** 125 PSI maximum

**Tubing Diameter:** .38” OD or .50” OD



| CONNECTOR MATERIAL SPECIFICATIONS |        |
|-----------------------------------|--------|
| <b>Tube</b>                       | Copper |
| <b>Insert</b>                     | POM    |

|                   |               |
|-------------------|---------------|
| <b>Escutcheon</b> | Steel, plated |
|-------------------|---------------|

|                          |               |
|--------------------------|---------------|
| <b>Loose Key</b>         | Zinc die cast |
| <b>Loose Key Adaptor</b> | Brass, plated |
| <b>Lock Shield</b>       | Brass, plated |

| STOP MATERIAL SPECIFICATIONS        |                       |
|-------------------------------------|-----------------------|
| <b>Body</b>                         | Brass, plated         |
| <b>Stem</b>                         | Brass, plated         |
| <b>Handle</b>                       | Zinc die cast, plated |
| <b>Handle Screw</b>                 | Steel, zinc plated    |
| <b>Bib &amp; Packing Washer</b>     | Rubber                |
| <b>Packing Nut</b>                  | Brass, plated         |
| <b>Compression Nut &amp; Sleeve</b> | Brass                 |
| <b>Sweat Extension</b>              | Copper, plated        |

*This specification and all information contained herein is the confidential and exclusive property of Brasscraft Manufacturing Company and shall not be disclosed to others without the written consent of Brasscraft Mfg. Co. This specification must be returned to BrassCraft Mfg. Co. if requested.*

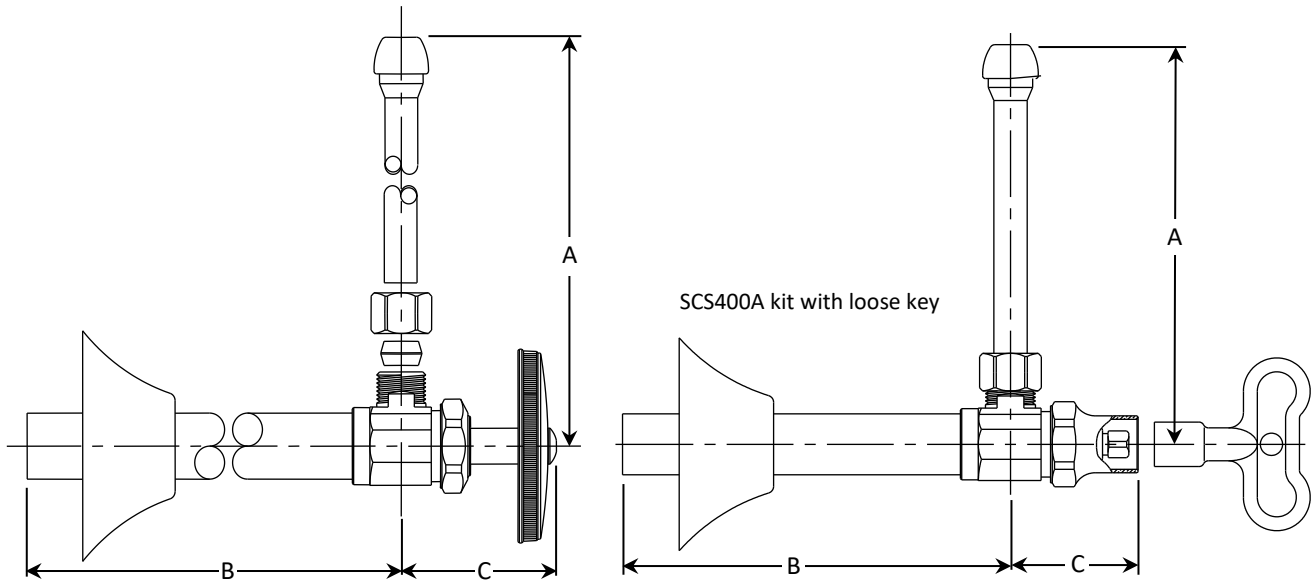


# CS400AX/CS425AX/CS500AX Copper Faucet Supply Kit – Multi-Turn Sweat Angle Stop w/5” Extension

**Part Listing:**

- CS400AX C      1/2" nom sweat w/extension x 3/8" OD compression stop with 3/8" OD tube x 11-1/2" length riser & bell escutcheon, chrome
- CS425AX C      1/2" nom sweat w/extension x 3/8" OD compression stop with 3/8" OD tube x 19-1/2" length riser & bell escutcheon, chrome
- CS500AX C      1/2" nom sweat w/extension x 1/2" OD compression stop with 1/2" OD tube x 11-1/2" length riser & bell escutcheon, chrome
- SCS400AX C      1/2" nom sweat w/extension x 3/8" OD compression stop with 3/8" OD tube x 11-1/2" length riser & bell escutcheon, chrome, loose key

| PART DIMENSIONS (Inches) |       |       |       |
|--------------------------|-------|-------|-------|
| Model                    | DIM A | DIM B | DIM C |
| CS400A                   | 12.35 | 5.46  | 1.70  |
| CS425A                   | 20.35 | 5.46  | 1.70  |
| CS500A                   | 12.35 | 5.46  | 1.70  |
| CS525A                   | 20.35 | 5.46  | 1.70  |
| SCS400A                  | 12.35 | 5.46  | 1.46  |



**Listings & Certifications:**

- IAPMO listed to ASME A112.18.1/CSA B125.1 (includes NSF/ANSI372 and NSF61)



*This specification and all information contained herein is the confidential and exclusive property of Brasscraft Manufacturing Company and shall not be disclosed to others without the written consent of Brasscraft Mfg. Co. This specification must be returned to Brasscraft Mfg. Co. if requested.*

**BrassCraft®**