

Job Name		Engineer / Architect	
Job Location		Wholesaler	
Submittal Date		Contractor	

## OCR19B720DW6X Braided One-Piece Dishwasher Supply Kit – Compression Multi-Turn Angle Stop

**Use:** For use in potable water distribution systems in accessible locations only. Not intended for recirculating systems that produce continuous use temperatures above 115° F. For those applications, use our KT™ series supply kits.

**Design Features:**

- **Easy to install.** Combines our trusted brass supply stop, water connector, and escutcheon for an easy to install one-piece connection



**Braided connector provides:**

- **Corrosion Resistance** to harsh chemicals found in most common household cleaning and plumbing repair products
- **More flexible than stainless steel**, the braided polymer-coated fibers bend freely without kinking or crimping
- **Rubber washers** provide a large pliable sealing surface and ensures a long lasting water tight connection

**Multi-turn stop provides:**

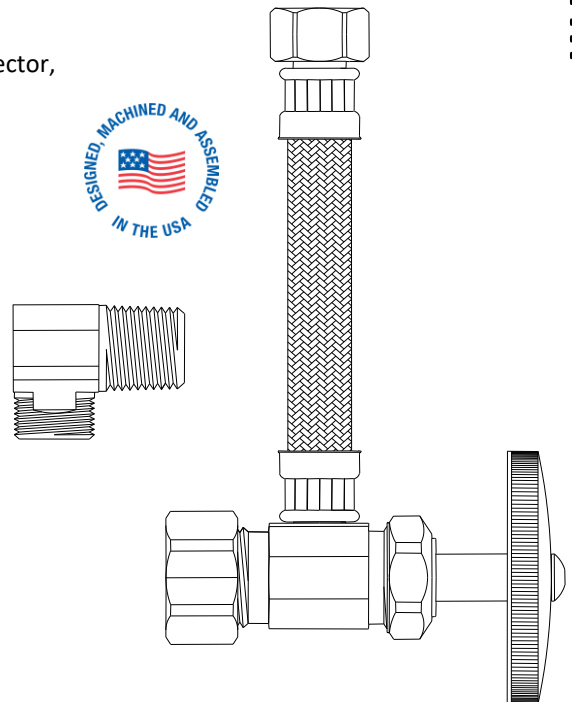
- **Machined one-piece brass body** provides strength, durability, and long-lasting performance
- **Oval knurled handle** provides a secure grip and smooth on/off operation
- **Easy-to-remove handle** with screw attachment helps protect against accidental stop operation during rough-ins

**Operating Specifications:**

**Temperature:** 40°- 140° F, intermittent to 180° F

**Pressure:** 125 PSI maximum

**Tubing Diameter:** 0.300" ID (0.517" OD)



Includes 1/2" nom shallow escutcheon (see 649 submittal form for details)

MATERIAL SPECIFICATIONS	
Inner Hose	Reinforced PVC
Braiding	PVC yarn
Barb	Brass
Ferrule	Steel, zinc plated
Connector Nut	Brass
Connector Washer	Rubber
Shallow Escutcheon	Stainless Steel
3/8" MIP Elbow	Brass

MATERIAL SPECIFICATIONS	
Valve Body	Brass, plated
Valve Stem	POM
Bib & Packing Washers	Rubber
Packing Nut	Brass
Valve Handle	Polycarbonate
Handle Screw	Steel, zinc plated
Compression Ring & Nut	Brass

This specification and all information contained herein is the confidential and exclusive property of Brasscraft Manufacturing Company and shall not be disclosed to others without the written consent of Brasscraft Mfg. Co. This specification must be returned to Brasscraft Mfg. Co. if requested.

400.223 OCR19B720DW6 Braided One-Piece Dishwasher Supply REV 9.19



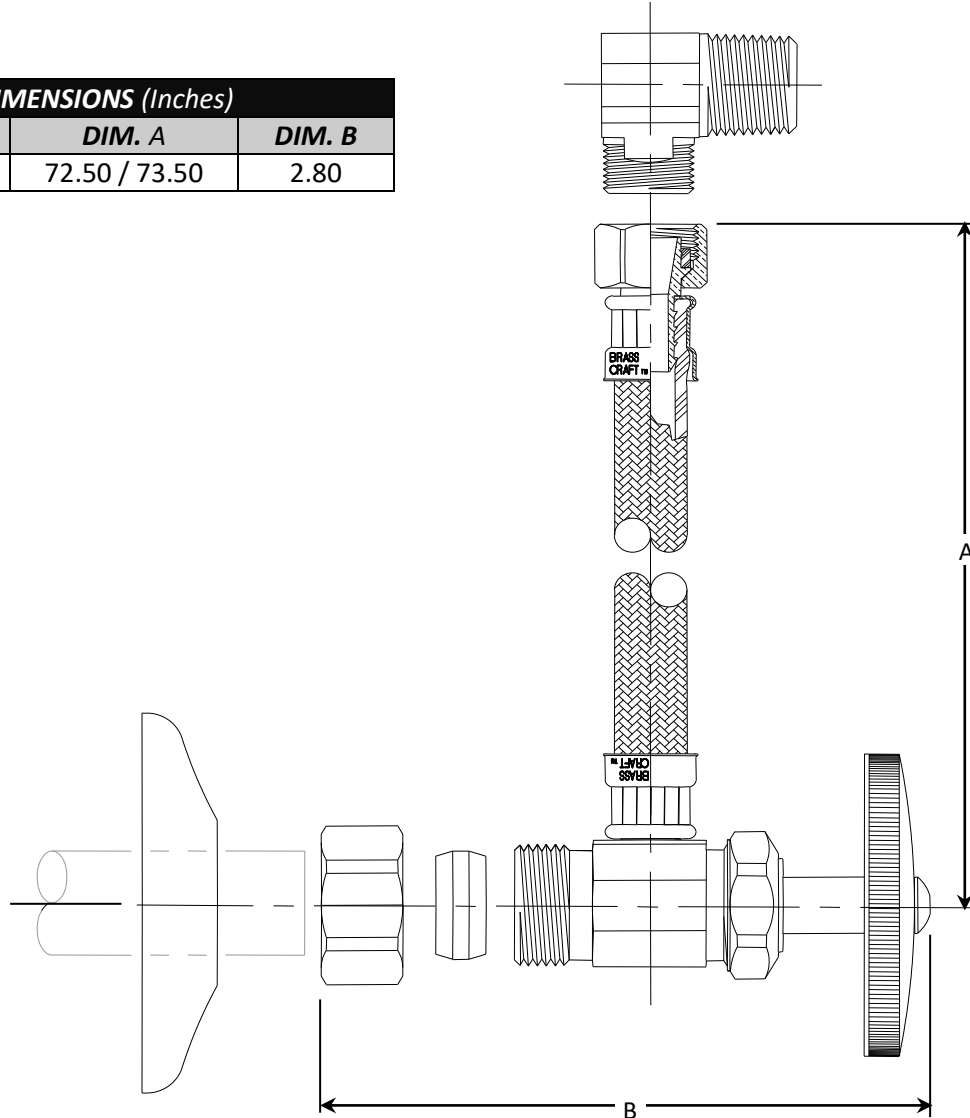
©2019 Brasscraft Manufacturing Company

# OCR19B720DW6X Braided One-Piece Dishwasher Supply Kit – Compression Multi-Turn Angle Stop

**Part Listing:**

- OCR19B720DW6X C 1/2" nom compression x 3/8" OD compression multi-turn stop with 3/8" OD compression x 72" length braided connector with 3/8" MIP elbow, chrome finish

PART DIMENSIONS (Inches)		
Model	DIM. A	DIM. B
OCR19B720DW6X	72.50 / 73.50	2.80



**Listings & Certifications:**

- IAPMO listed to ASME A112.18.1 / CSA B125.1 (includes NSF/ANSI 372 and NSF/ANSI/CAN 61)



*This specification and all information contained herein is the confidential and exclusive property of Brasscraft Manufacturing Company and shall not be disclosed to others without the written consent of Brasscraft Mfg. Co. This specification must be returned to Brasscraft Mfg. Co. if requested.*

**BrassCraft®**