

Job Name		Engineer / Architect	
Job Location		Wholesaler	
Submittal Date		Contractor	

## OCR19B120DLMX Braided One-Piece Toilet Supply w/ Metal Nut – Compression Multi-Turn Angle Stop

**Use:** For use in potable water distribution systems in accessible locations only. Not intended for recirculating systems that produce continuous use temperatures above 115° F. For those applications, use our KT™ series supply kits.

### Design Features:

- **Everything you need.** These kits combine our trusted supply stop, braided water connector, and escutcheon for an easy-to-install, one-piece connection

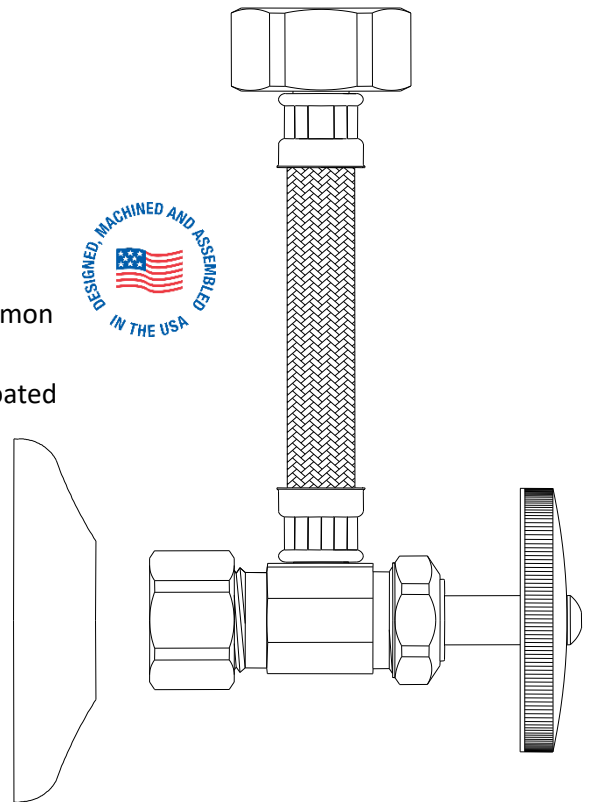


### Braided connector provides:

- **Corrosion resistance** to harsh chemicals found in most common household cleaning and plumbing repair products
- **More flexible than stainless steel,** the braided polymer-coated fibers bend freely without kinking or crimping
- **Rubber washers** provide a large pliable sealing surface and ensures a long lasting water tight connection

### Multi-turn stop provides:

- **Machined one-piece brass body** provides strength, durability, and long-lasting performance
- **Oval knurled handle** provides a secure grip and smooth on/off operation
- **Easy-to-remove handle** with screw attachment helps protect against accidental stop operation during rough-ins



### Operating Specifications:

**Temperature:** 40° - 160° F, intermittent to 180° F

**Pressure:** 125 PSI maximum

**Tubing Diameter:** 0.300" ID (0.517" OD)

# OCR19B120DLMX Braided One-Piece Toilet Supply w/ Metal Nut – Compression Multi-Turn Angle Stop

CONNECTOR MATERIAL SPECIFICATIONS	
Inner Hose	Reinforced PVC
Braiding	PVC yarn
Barb	Brass
Ferrules	Steel, zinc plated
Nut	Brass, plated
Washer	Rubber

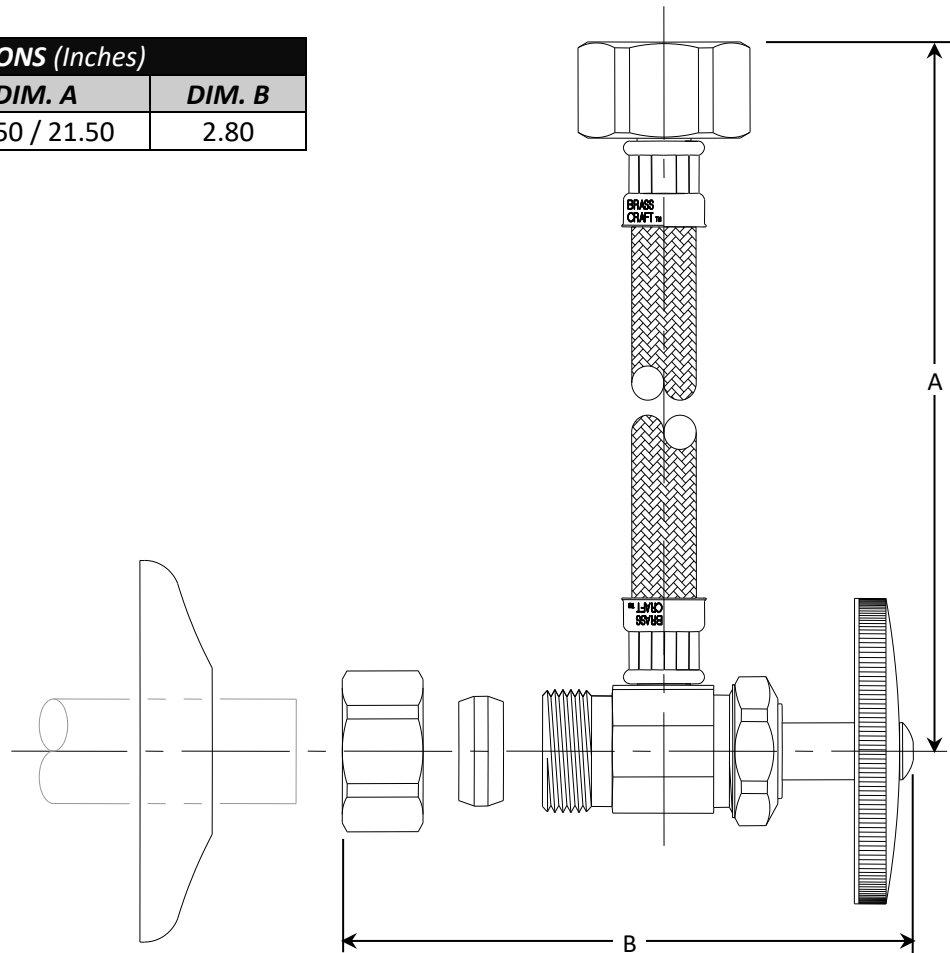
Escutcheon	Stainless steel
------------	-----------------

STOP MATERIAL SPECIFICATIONS	
Body	Brass, plated
Stem	POM
Bib & Packing Washers	Rubber
Packing Nut	Brass, plated
Handle	Plated ABS or Polypropylene
Handle Screw	Steel, zinc plated
Compression Sleeve	Brass
Compression Nut	Brass, plated

**Part Listing:**

- OCR19B120DLMX C 1/2" nom compression x 3/8" OD compression multi-turn stop with 7/8" ballcock metal nut x 20" length braided connector, shallow escutcheon, chrome finish

PART DIMENSIONS (Inches)		
Model	DIM. A	DIM. B
OCR19B120DLMX	20.50 / 21.50	2.80



**Listings & Certifications:**

- IAPMO listed to ASME A112.18.1 / CSA B125.1 (includes NSF/ANSI 372 and NSF/ANSI/CAN 61)



*This specification and all information contained herein is the confidential and exclusive property of BrassCraft Manufacturing Company and shall not be disclosed to others without the written consent of BrassCraft. This specification must be returned to BrassCraft if requested.*

**BrassCraft®**