

For Residential and Commercial Applications

Job Name		Engineer / Architect	
Job Location		Wholesaler	
Submittal Date		Contractor	

PR19B160AX / PR19B200AX Braided One-Piece Faucet Supply Kit – CPVC Multi-Turn Angle Stop

Use: For use in potable water distribution systems in accessible locations only. Not intended for recirculating systems that produce continuous use temperatures above 115° F. For those applications, use our KT™ series supply kits.

Design Features:

- **Easy to install.** Combines our trusted brass supply stop, water connector, and escutcheon for an easy to install one-piece connection
- **Significant time and cost savings**
-

Braided connector provides:

- **Corrosion Resistance** to harsh chemicals found in most common household cleaning and plumbing repair products
- **More flexible than stainless steel**, the braided polymer-coated fibers bend freely without kinking or crimping
- **Rubber washers** provide a large pliable sealing surface and ensures a long lasting water tight connection
- **8-sided pneumatic crimp** provides greater dependability for reliable nut-to-hose connections

Multi-turn stop provides:

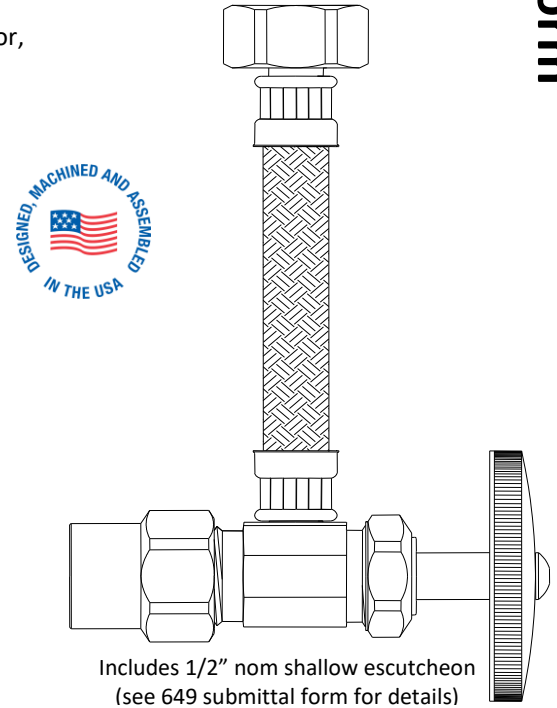
- **Machined one-piece brass body** provides strength, durability, and long-lasting performance
- **Oval knurled handle** provides a secure grip and smooth on/off operation
- **Easy-to-remove handle** with screw attachment helps protect against accidental stop operation during rough-ins

Operating Specifications:

Temperature: 40° - 160° F, intermittent to 180° F

Pressure: 125 PSI maximum

Tubing Diameter: 0.300" ID (0.517" OD)



Includes 1/2" nom shallow escutcheon (see 649 submittal form for details)

CONNECTOR MATERIAL SPECIFICATIONS	
Inner Hose	Reinforced PVC
Braiding	PVC yarn
Barb	Brass
Ferrule	Steel, zinc plated
Connector Nut	Brass
Connector Washer	Rubber
Shallow Escutcheon	Stainless Steel

STOP MATERIAL SPECIFICATIONS	
Body	Brass, plated
Stem	POM
Bib & Packing Washers	Rubber
Packing Nut	Brass
Handle	Polycarbonate
Handle Screw	Steel, zinc plated
CPVC Insert	CPVC
CPVC Washer	Rubber
CPVC Nut	Brass

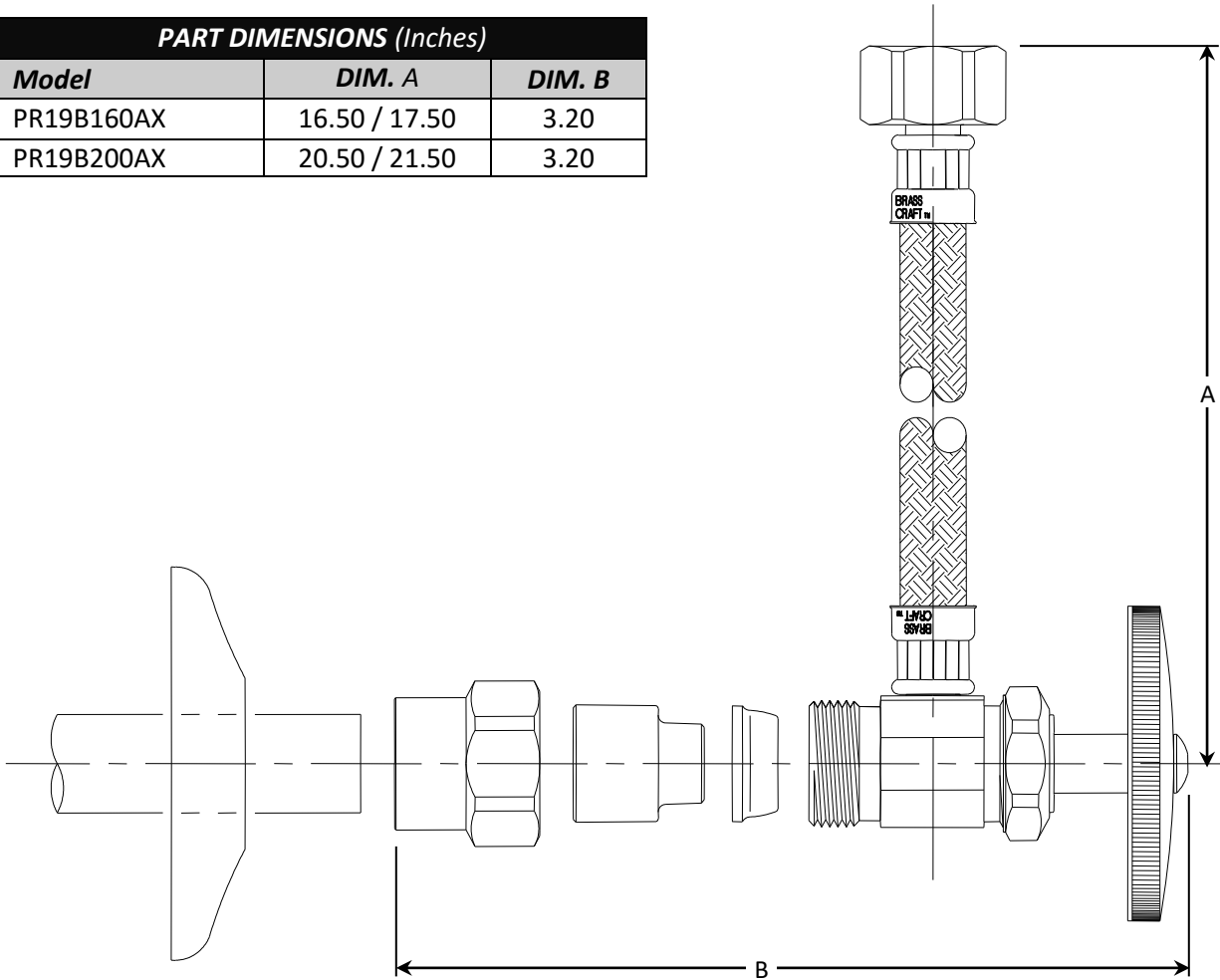
This specification and all information contained herein is the confidential and exclusive property of Brasscraft Manufacturing Company and shall not be disclosed to others without the written consent of Brasscraft Mfg. Co. This specification must be returned to Brasscraft Mfg. Co. if requested.

PR19B160AX / PR19B200AX Braided One-Piece Faucet Supply Kit – CPVC Multi-Turn Angle Stop

Part Listing:

- PR19B160AX C 1/2" nom CPVC x 1/2" FIP multi turn stop with 1/2" FIP outlet x 16" length braided connector, shallow escutcheon, chrome finish
- PR19B200AX C 1/2" nom CPVC x 1/2" FIP multi turn stop with 1/2" FIP outlet x 20" length braided connector, shallow escutcheon, chrome finish

PART DIMENSIONS (Inches)		
Model	DIM. A	DIM. B
PR19B160AX	16.50 / 17.50	3.20
PR19B200AX	20.50 / 21.50	3.20



Listings & Certifications:

- IAPMO listed to ASME A112.18.1 / CSA B125.1 (includes NSF/ANSI 372 and NSF/ANSI/CAN 61)



This specification and all information contained herein is the confidential and exclusive property of Brasscraft Manufacturing Company and shall not be disclosed to others without the written consent of Brasscraft Mfg. Co. This specification must be returned to Brasscraft Mfg. Co. if requested.

BrassCraft®