

| | | | |
|----------------|--|----------------------|--|
| Job Name | | Engineer / Architect | |
| Job Location | | Wholesaler | |
| Submittal Date | | Contractor | |

OCR19B160AX / OCR19B200AX Braided One-Piece Faucet Supply – Compression Multi-Turn Angle Stop

Use: For use in potable water distribution systems in accessible locations only. Not intended for recirculating systems that produce continuous use temperatures above 115° F. For those applications, use our KT™ series supply kits.

Design Features:

- **Easy to install.** Combines our trusted brass supply stop, water connector, and escutcheon for an easy to install one-piece connection

Braided connector provides:

- **Corrosion Resistance** to harsh chemicals found in most common household cleaning and plumbing repair products
- **More flexible than stainless steel,** the braided polymer-coated fibers bend freely without kinking or crimping
- **Rubber washers** provide a large pliable sealing surface and ensures a long lasting water tight connection
- **8-sided pneumatic crimp** provides greater dependability for reliable nut-to-hose connections

Multi-turn stop provides:

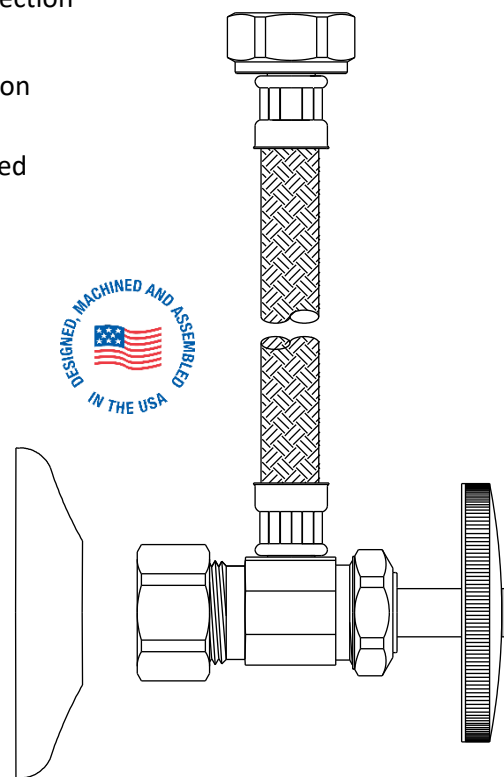
- **Machined one-piece brass body** provides strength, durability, and long-lasting performance
- **Oval knurled handle** provides a secure grip and smooth on/off operation
- **Easy-to-remove handle** with screw attachment helps protect against accidental stop operation during rough-ins

Operating Specifications:

Temperature: 40° - 160° F, intermittent to 180° F

Pressure: 125 PSI maximum

Tubing Diameter: 0.300" ID (0.517" OD)



OCR19B160AX / OCR19B200AX Braided One-Piece Faucet Supply – Compression Multi-Turn Angle Stop

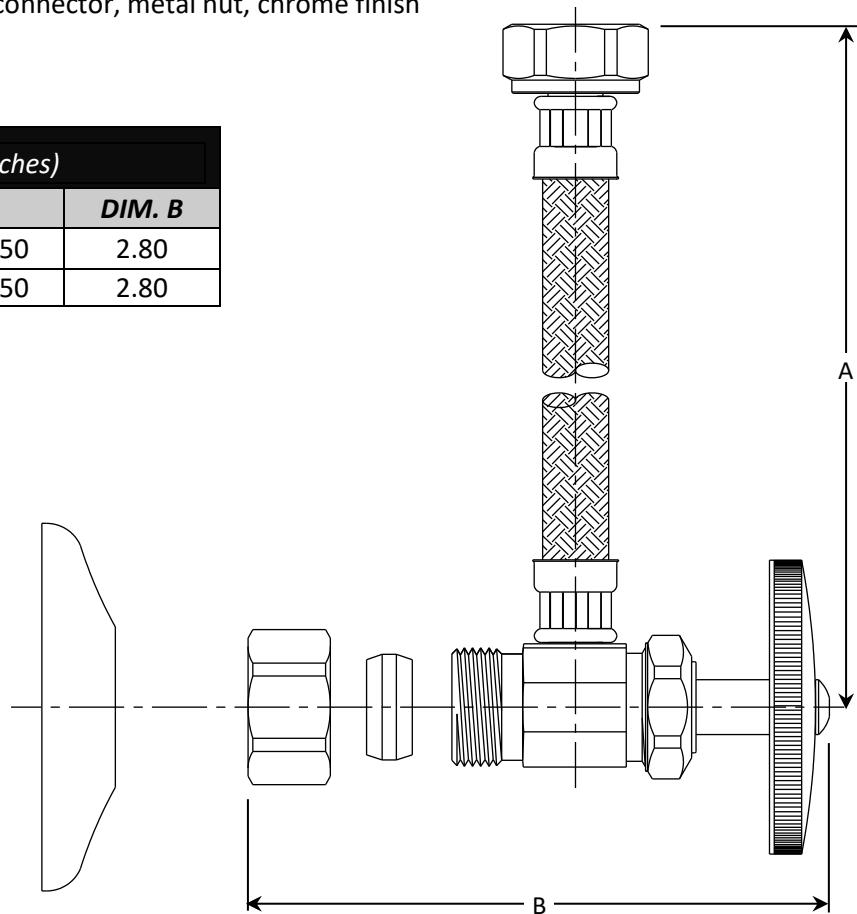
| CONNECTOR MATERIAL SPECIFICATIONS | |
|-----------------------------------|--------------------|
| Inner Hose | Reinforced PVC |
| Braiding | PVC yarn |
| Barb | Brass |
| Ferrules | Steel, zinc plated |
| Nut | Brass, plated |
| Washer | Rubber |
| | |
| Escutcheon | Stainless steel |

| STOP MATERIAL SPECIFICATIONS | |
|------------------------------|-----------------------------|
| Body | Brass, plated |
| Stem | POM |
| Bib & Packing Washers | Rubber |
| Packing Nut | Brass, plated |
| Handle | Plated ABS or Polypropylene |
| Handle Screw | Steel, zinc plated |
| Compression Sleeve | Brass |
| Compression Nut | Brass, plated |

Part Listing:

- OCR19B160AX C 1/2" nom compression x 1/2" FIP multi turn stop with 1/2" FIP outlet x 16" length braided connector, metal nut, chrome finish
- OCR19B200AX C 1/2" nom compression x 1/2" FIP multi turn stop with 1/2" FIP outlet x 20" length braided connector, metal nut, chrome finish

| PART DIMENSIONS (Inches) | | |
|--------------------------|---------------|--------|
| Model | DIM. A | DIM. B |
| OCR19B160AX | 16.50 / 17.50 | 2.80 |
| OCR19B200AX | 20.50 / 21.50 | 2.80 |



Listings & Certifications:

- IAPMO listed to ASME A112.18.1 / CSA B125.1 (includes NSF/ANSI 372 and NSF/ANSI/CAN 61)



This specification and all information contained herein is the confidential and exclusive property of BrassCraft Manufacturing Company and shall not be disclosed to others without the written consent of BrassCraft. This specification must be returned to BrassCraft if requested.