


For Residential and Commercial Applications

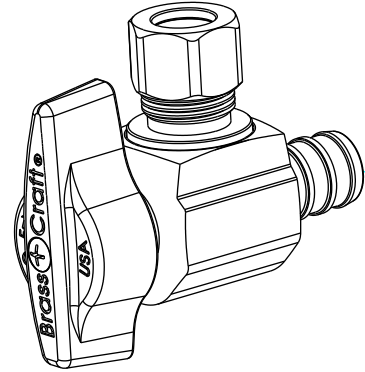
| | | | |
|----------------|--|----------------------|--|
| Job Name | | Engineer / Architect | |
| Job Location | | Wholesaler | |
| Submittal Date | | Contractor | |

KTBRPX19X 1/4 Turn Angle Ball Stop – Barbed PEX x Compression

Use: For use in potable water distribution systems in accessible locations only.

Design Features:

- **Precision-machined brass ball** is specially engineered and mated with PTFE seats to provide smooth operation
- **Two high-performance o-rings** withstand high temperatures and corrosion
- **Machined one-piece brass body** provides strength, durability, and long-lasting performance
- **Brass stem** is assembled from the inside out with two o-rings to ensure safe, reliable performance
- **Plated stem** provides corrosion resistance and prevents o-ring damage
- **Metal handle** is designed for durability, corrosion resistance, and a sleek appearance
- **Easy-to-remove handle** with screw attachment helps protect against accidental stop operation during rough-ins
- **PEX end** designed to ASTM F1807
- **For use with** ASTM F876 PEX tubing, in ASTM F877 water distribution systems using ASTM F1807, and/or F2098 connection methods
- **100% leak tested**
- 



Operating Specifications:

Temperature: 40° - 180° F
Pressure: 125 PSI maximum

| STOP MATERIAL SPECIFICATIONS | |
|-------------------------------------|------------------------------|
| Body | <i>Brass, plated</i> |
| Stem | <i>Brass, plated</i> |
| Seat | <i>PTFE</i> |
| Ball | <i>Brass, plated</i> |
| O-ring | <i>Rubber</i> |
| Handle | <i>Zinc, die cast plated</i> |
| Handle Screw | <i>Steel, zinc plated</i> |
| Compression Nut | <i>Brass, plated</i> |
| Compression Sleeve | <i>Brass</i> |

This specification and all information contained herein is the confidential and exclusive property of Brasscraft Manufacturing Company and shall not be disclosed to others without the written consent of Brasscraft Mfg. Co. This specification must be returned to Brasscraft Mfg. Co. if requested.

400.17 KTBRPX19X 1/4 Turn Angle Ball Stop - Barbed PEX x Comp REV 9.19



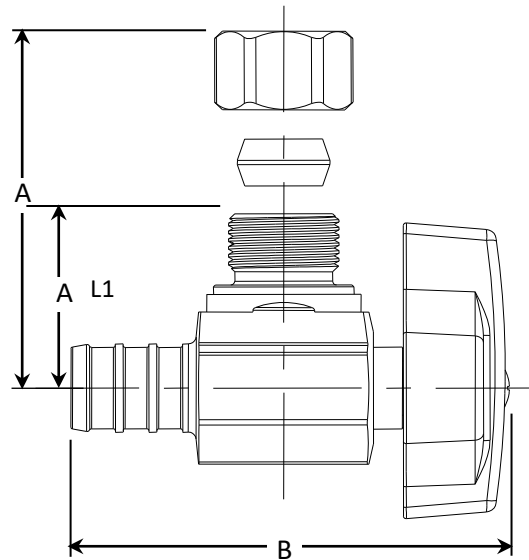
©2019 Brasscraft Manufacturing Company

KTBRPX19X 1/4 Turn Angle Ball Stop – Barbed PEX x Compression

Part Listing:

- KTBRPX19X C 1/2" nom crimp barb (for PEX) x 3/8" OD compression, chrome plated
- KTBRPX19X CM 1/2" nom crimp barb (for PEX) x 3/8" OD compression, chrome plated, contractor pack
- KTBRPX19L1X CB 1/2" nom crimp barb (for PEX) x 3/8" OD compression, less nut chrome plated, bulk

| PART DIMENSIONS (Inches) | | |
|---------------------------------|---------------|---------------|
| Model | DIM. A | DIM. B |
| KTBRPX19X | 1.20 | 2.22 |
| KTBRPX19L1X | .93 | 2.22 |



Listings & Certifications:

- IAPMO listed to ASME A112.18.1 / CSA B125.1 (includes NSF/ANSI 372 and NSF61)



This specification and all information contained herein is the confidential and exclusive property of Brasscraft Manufacturing Company and shall not be disclosed to others without the written consent of Brasscraft Mfg. Co. This specification must be returned to Brasscraft Mfg. Co. if requested.

BrassCraft®