

For Residential and Commercial Applications

Job Name		Engineer / Architect	
Job Location		Wholesaler	
Submittal Date		Contractor	

PR1901LRX Multi-Turn Dual Outlet Stop - CPVC Inlet

Use: For use in potable water distribution systems in accessible locations only. Not intended for recirculation systems/continuous use temperatures above 115° F. For those applications, use our KT™ series ball stop.

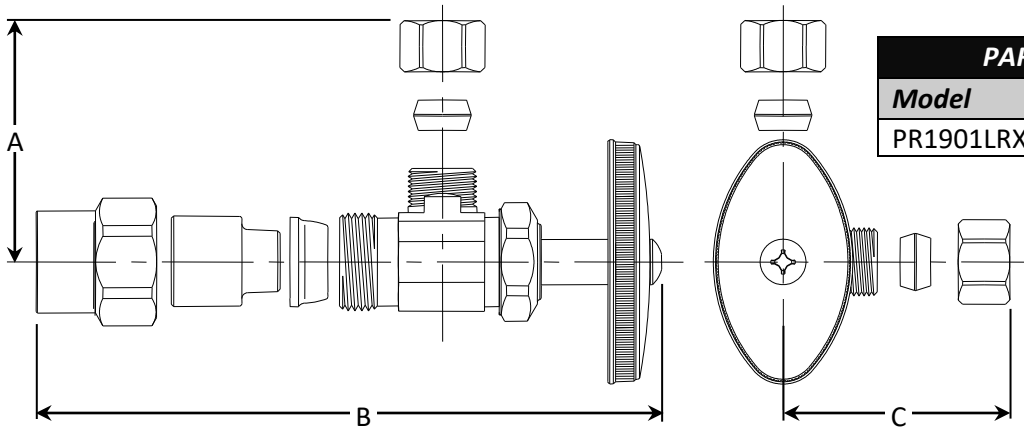
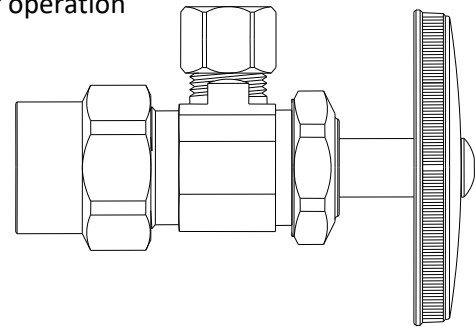
Design Features:

- **Machined one-piece brass body** provides strength, durability, and long-lasting performance
- **Knurled oval handle** provides a secure grip and smooth on/off operation
- **Easy-to-remove handle** with screw attachment helps protect against accidental stop operation during rough-ins



Operating Specifications:

Temperature: 40° - 140° F
Pressure: 125 PSI maximum



PART DIMENSIONS (Inches)			
Model	DIM. A	DIM. B	DIM. C
PR1901LRX	1.06	3.17	1.06

STOP MATERIAL SPECIFICATIONS	
Body	Brass
Stem	POM
Bib & Packing Washers	Rubber
Packing Nut	Brass
Handle	Zinc die cast, plated
Handle Screw	Steel, zinc plated

STOP MATERIAL SPECIFICATIONS	
CPVC Insert	CPVC
CPVC Washer	Rubber
CPVC Nut	Brass
Compression Sleeve	Brass
Compression Nut	Brass

Part Listing:

PR1901LRX R1 1/2" nom CPVC x 3/8" OD compression x 3/8" OD compression, rough brass, window tray

Listings & Certifications:

- IAPMO listed to ASME A112.18.1 / CSA B125.1 (includes NSF/ANSI 372 and NSF61)



This specification and all information contained herein is the confidential and exclusive property of Brasscraft Manufacturing Company and shall not be disclosed to others without the written consent of Brasscraft Mfg. Co. This specification must be returned to Brasscraft Mfg. Co. if requested.

BrassCraft®