

For Residential and Commercial Applications

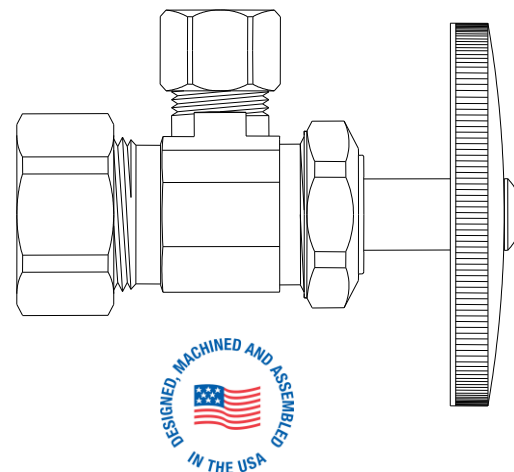
Job Name		Engineer / Architect	
Job Location		Wholesaler	
Submittal Date		Contractor	

CR3901X Multi-Turn Dual Outlet Stop – Compression Inlet

Use: For use in potable water distribution systems in accessible locations only. Not intended for recirculation systems/continuous use temperatures above 115° F. For those applications, use our KT™ series ball stop.

Design Features:

- **Machined one-piece brass body** provides strength, durability, and long-lasting performance
- **Knurled oval handle** provides a secure grip and smooth on/off operation
- **Easy-to-remove handle** with screw attachment helps protect against accidental stop operation during rough-ins
- **✓**



Operating Specifications:

Temperature: 40° - 140° F
Pressure: 125 PSI maximum

STOP MATERIAL SPECIFICATIONS	
Body	<i>Brass, plated</i>
Stem	<i>POM or brass</i>
Bib & Packing Washers	<i>Rubber</i>
Packing Nut	<i>Brass, plated</i>
Handle	<i>ABS, plated or zinc die cast, plated</i>
Handle Screw	<i>Steel, zinc plated</i>
Compression Sleeve	<i>Brass</i>
Compression Nut	<i>Brass, plated</i>

Part Listing:

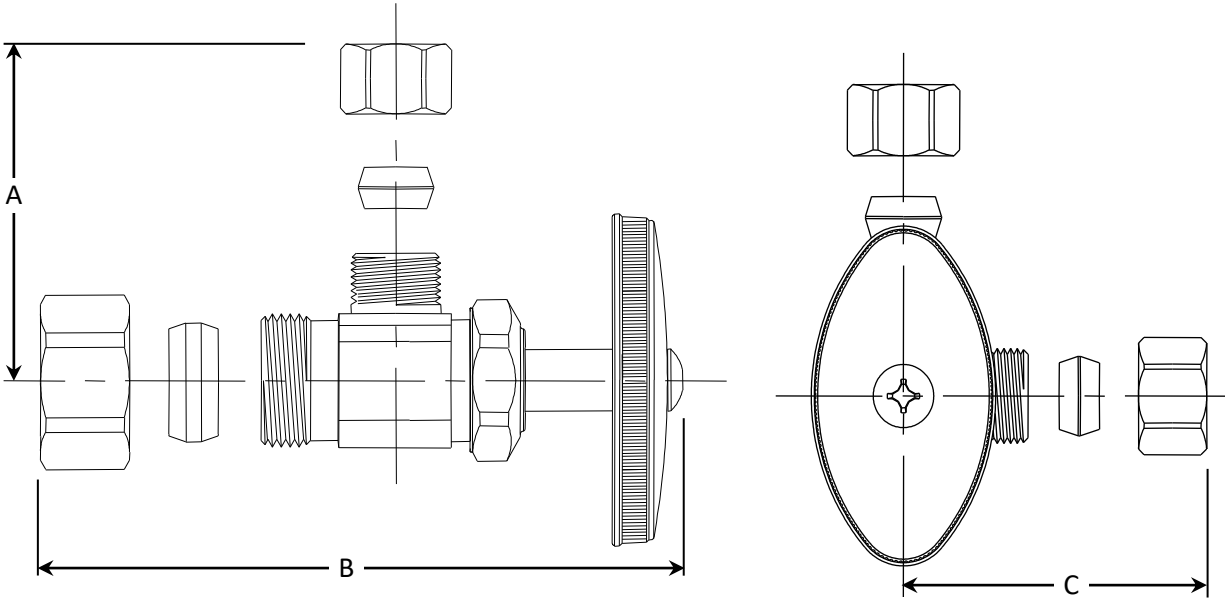
- CR3901LX C1 1/2" nom compression x 1/2" OD compression x 3/8" OD compression (left side), chrome plated, window tray
- CR3901LX R1 1/2" nom compression x 1/2" OD compression x 3/8" OD compression (left side), rough brass, window tray
- CR3901RX C1 1/2" nom compression x 1/2" OD compression x 3/8" OD compression (right side), chrome plated, window tray
- CR3901RX R1 1/2" nom compression x 1/2" OD compression x 3/8" OD compression (right side), rough brass, window tray

This specification and all information contained herein is the confidential and exclusive property of Brasscraft Manufacturing Company and shall not be disclosed to others without the written consent of Brasscraft Mfg. Co. This specification must be returned to Brasscraft Mfg. Co. if requested.

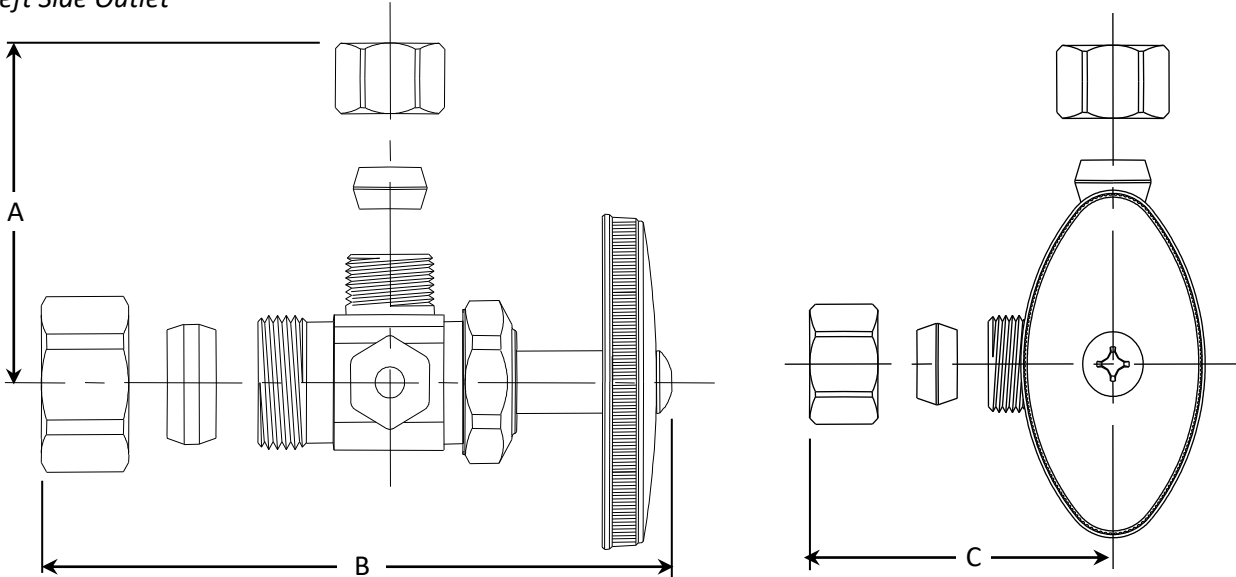
CR3901X Multi-Turn Dual Outlet Stop – Compression Inlet

PART DIMENSIONS (Inches)			
Model	DIM. A	DIM. B	DIM. C
CR3901LX	1.09	2.82	1.09
CR3901RX	1.09	2.82	1.09

Right Side Outlet



Left Side Outlet



Listings & Certifications:

- IAPMO listed to ASME A112.18.1 / CSA B125.1 (includes NSF/ANSI 372 and NSF61)



This specification and all information contained herein is the confidential and exclusive property of Brasscraft Manufacturing Company and shall not be disclosed to others without the written consent of Brasscraft Mfg. Co. This specification must be returned to Brasscraft Mfg. Co. if requested.