

For Residential and Commercial Applications

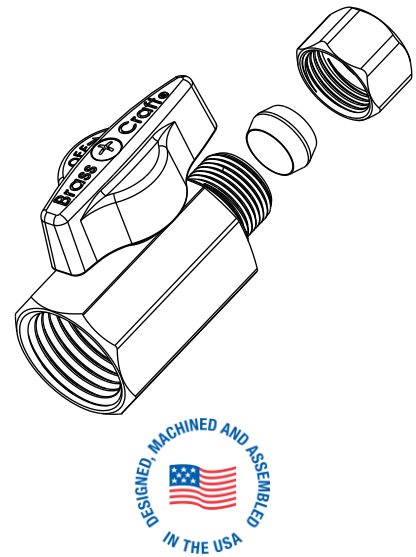
Job Name		Engineer / Architect	
Job Location		Wholesaler	
Submittal Date		Contractor	

KTR10/12X 1/4 Turn Straight Ball Stop – Female Iron Pipe x Compression

Use: For use in potable water distribution systems in accessible locations.

Design Features:

- **Machined brass ball** is specially engineered and mated with PTFE seats to provide smooth operation
- **Two high-performance o-rings** withstand high temperatures and corrosion
- **Machined, one-piece brass body** provides strength, durability, and long-lasting performance
- **Brass stem** is assembled from the inside out with two o-rings to ensure safe, reliable performance
- **Plated stem** provides corrosion resistance and prevents o-ring damage
- **Metal handle** is designed for durability, corrosion resistance, and a sleek appearance
- **Easy-to-remove handle** with screw attachment helps protect against accidental stop operation during rough-ins
- **100% leak tested**
-



Operating Specifications:

Temperature: 40° - 180° F
Pressure: 125 PSI maximum

STOP MATERIAL SPECIFICATIONS	
Body	<i>Brass, plated</i>
Stem	<i>Brass, plated</i>
Seat	<i>PTFE</i>
Ball	<i>Brass, plated</i>
Stem o-ring	<i>Rubber</i>
Handle	<i>Zinc die cast, plated</i>
Handle Screw	<i>Steel, zinc plated</i>
Compression Sleeve	<i>Brass</i>
Compression Nut	<i>Brass, plated</i>

This specification and all information contained herein is the confidential and exclusive property of Brasscraft Manufacturing Company and shall not be disclosed to others without the written consent of Brasscraft Mfg. Co. This specification must be returned to Brasscraft Mfg. Co. if requested.

400.04 KTR10/12X 1/4 Turn Straight Ball Stop - FIP x Comp REV 9.19



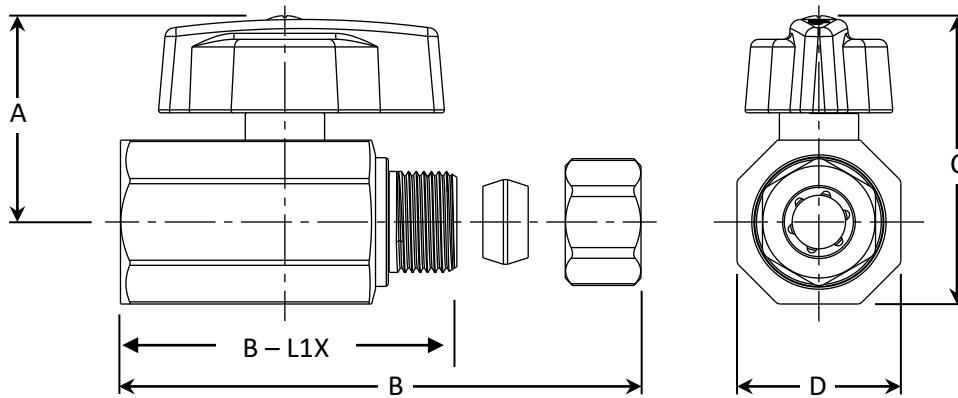
©2019 Brasscraft Manufacturing Company

KTR10/12X 1/4 Turn Straight Ball Stop – Female Iron Pipe x Compression

Part Listing:

- KTR10X C 3/8" FIP x 3/8" OD compression, chrome plated
- KTR10X C1 3/8" FIP x 3/8" OD compression, chrome plated, window tray
- KTR12X C 1/2" FIP x 3/8" OD compression, chrome plated
- KTR12X C1 1/2" FIP x 3/8" OD compression, chrome plated, window tray
- KTR12L1X CB 1/2" FIP x 3/8" OD compression, chrome plated, bulk

PART DIMENSIONS (Inches)				
Model	DIM. A	DIM. B	DIM. C	DIM. D
KTR10X	1.14	2.12	1.59	.91
KTR12X	1.14	2.12	1.59	.91
KTR12L1X	1.14	1.85	1.59	.91



Listings & Certifications:

- IAPMO listed to ASME A112.18.1 / CSA B125.1 (includes NSF/ANSI 372 and NSF61)



This specification and all information contained herein is the confidential and exclusive property of Brasscraft Manufacturing Company and shall not be disclosed to others without the written consent of Brasscraft Mfg. Co. This specification must be returned to Brasscraft Mfg. Co. if requested.