

For Residential and Commercial Applications

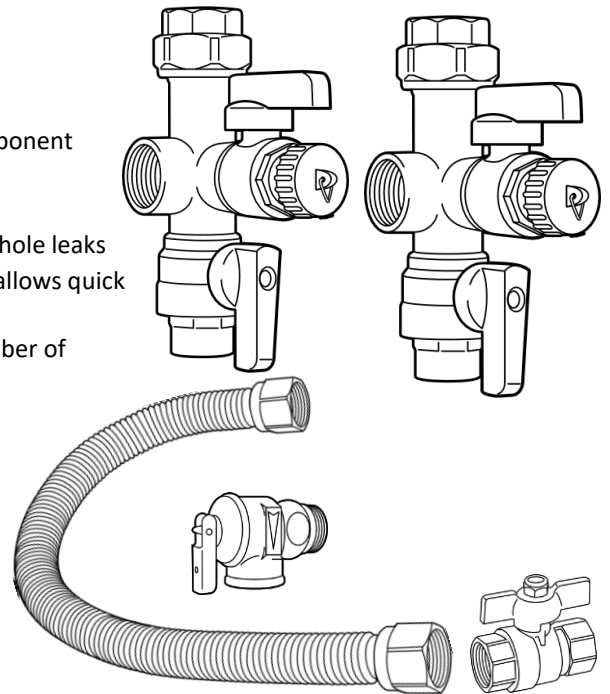
Job Name		Engineer / Architect	
Job Location		Wholesaler	
Submittal Date		Contractor	

TK30RB21 Tankless Water Heater Service Valve Kit

Use: For use in potable water distribution systems for water flow control. Valves connect directly to cold water inlet and hot water outlet of the tankless water heater. Use for appliance maintenance and emergency shut-off.

Design Features:

- **Compact design** ideal for recessed and cover box installations
- **Captive coupling nut & washer** reduces opportunity for component loss making installation easier
- **Captive washer** won't kink or tear during installation
- **Forged, one-piece construction** reduces the potential for pinhole leaks
- **Integrated drain valve** with independent, 1/4 turn operation allows quick system diagnostic testing and maintenance
- **Built-in side port** for the pressure relief valve reduces the number of connections & simplifies the installation
- **Right-sized handles**, color-coded for immediate system identification. Perfect for tight installations
-



Operating Specifications:

Temperature: 40° - 180° F
Pressure: 125 PSI maximum

VALVE MATERIAL SPECIFICATIONS	
Body	Forged brass
Stem	Brass
Handle	Aluminum, coated
Handle Screw	Zinc-plated steel
Flat Seal	Rubber
Coupling Nut	Forged brass
Drain Cap	Forged brass
Cap Gasket	Rubber
Seat	PTFE
Ball	Brass, plated

CONNECTOR MATERIAL SPECIFICATIONS	
 tubing	Stainless steel
Coating	Polymer blend
Nuts	Steel
Fittings	Steel

Part Listing:

- TK30RB21-18G3X 3/4" IPS x 3/4" IPS hot/cold service valve kit, 18" gas connector, 3/4" full-port gas ball valve, and PR valve
- TK30RB21-24G3X 3/4" IPS x 3/4" IPS hot/cold service valve kit, 24" gas connector, 3/4" full-port gas ball valve, and PR valve

This specification and all information contained herein is the confidential and exclusive property of Brasscraft Manufacturing Company and shall not be disclosed to others without the written consent of Brasscraft Mfg. Co. This specification must be returned to Brasscraft Mfg. Co. if requested.

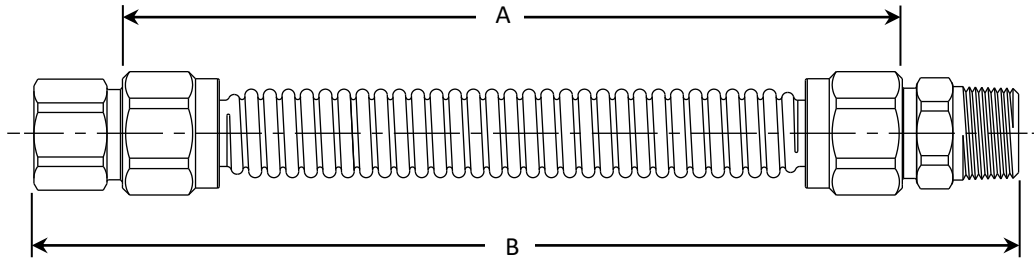


TK30RB21

Tankless Water Heater Service Valve Kit

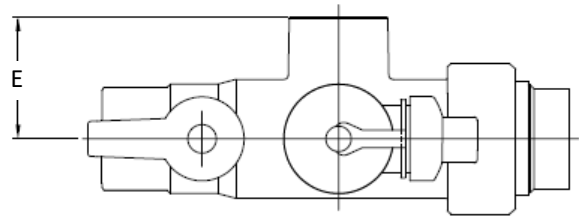
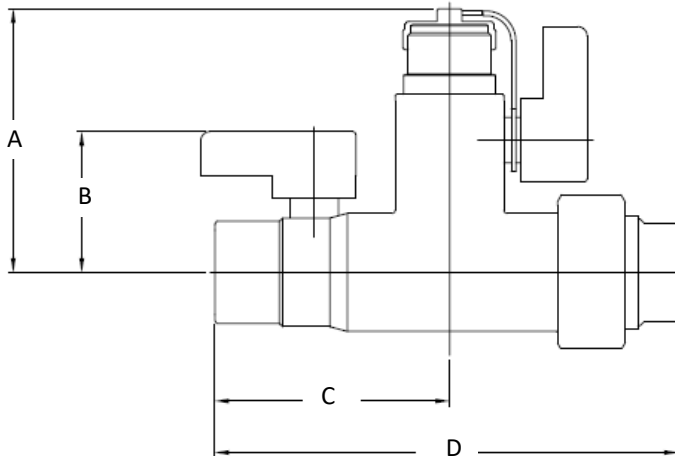
GAS CONNECTOR PART SPECIFICATIONS (Inches)

Connector Length – Nut by Nut									
Series	DIM.	12"	18"	24"	30"	36"	48"	60"	72"
CSSB	A	10.00	16.00	22.00	28.00	34.00	46.00	58.00	70.00



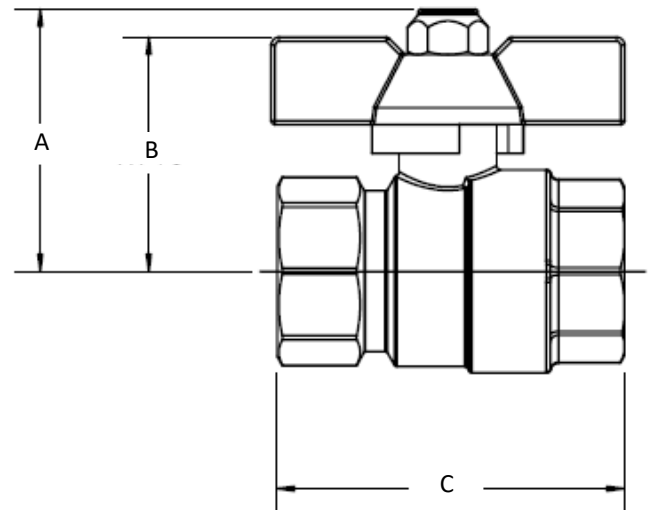
SERVICE VALVE PART SPECIFICATIONS (Inches)

Model	DIM. A	DIM. B	DIM. C	DIM. D	DIM. E*
TWV30X / TWV30RX	3.03	1.76	2.60	5.61	1.09
TWV3SX / TWV3SRX	3.03	1.76	2.60	5.61	1.09



GAS BALL VALVE PART SPECIFICATIONS (Inches)

Model	DIM. A	DIM. B	DIM. C
TBV12F	1.92	1.72	2.54



Listings and Certifications:

- Gas connector and PRV CSA verified
- IAPMO listed to IAPMO/ANSI Z1157 including NSF/ANSI 14

This specification and all information contained herein is the confidential and exclusive property of Brasscraft Manufacturing Company and shall not be disclosed to others without the written consent of Brasscraft Mfg. Co. This specification must be returned to Brasscraft Mfg. Co. if requested.

