

**For Residential and Commercial Applications**

Job Name		Engineer / Architect	
Job Location		Wholesaler	
Submittal Date		Contractor	

## WRJ-22 Thick Rubber Washer

**Use:** For use with BrassCraft® copper water heater connectors with internal dielectric sleeves and 1" end connections manufactured after 1990.

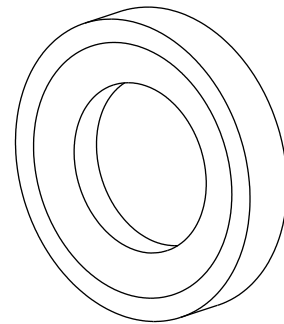
**Design Features:**

- **Less torque required to seal** especially on rough nipple surfaces

**Operating Specifications:**

**Temperature:** 40° to 180° F

**Pressure:** 125 PSI maximum

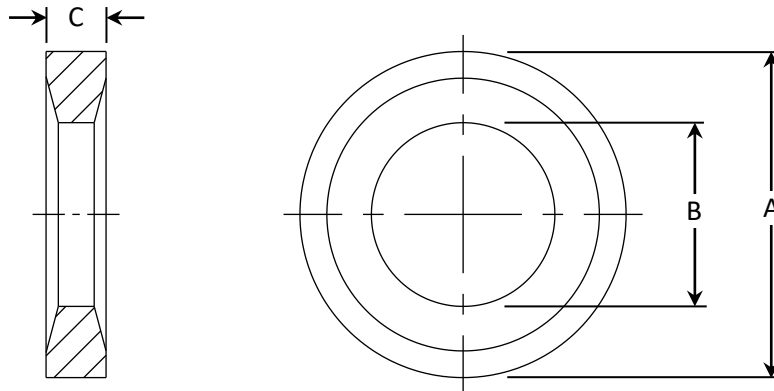


MATERIAL SPECIFICATIONS	
Washer	Rubber

PART DIMENSIONS (Inches)			
Model	DIA. A	DIA. B	DIM. C
WRJ-22	1.22	.69	.23

**Part Listing:**

- WRJ-22 1" dielectric washer and DIS-3 dielectric sleeve



- For use with SWB, WB and BWB Water Heater Connectors

*This specification and all information contained herein is the confidential and exclusive property of Brasscraft Manufacturing Company and shall not be disclosed to others without the written consent of Brasscraft Mfg. Co. This specification must be returned to Brasscraft Mfg. Co. if requested.*