

For Residential and Commercial Applications

Job Name		Engineer / Architect	
Job Location		Wholesaler	
Submittal Date		Contractor	

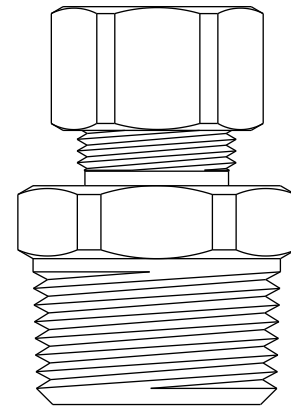
68X Series Compression x Male Iron Pipe Reducing Adapters

Use: For use with potable and non-potable water, instrumentation, hydraulic, and pneumatic systems. Designed for use with aluminum, copper, and plastic tubing*. Not intended for use with steel tubing.

* Plastic tubing requires a plastic insert and a sleeve (see 60PT & 63PT submittal forms for details)

Design Features:

- **Little to no tube preparation.** Compression fittings do not require flaring, soldering, or other types of tube preparation
- **Available in a broad range of sizes**
-



Operating Specifications:

Temperature: -65° - 250°F at maximum operating pressures

Working Pressure: See chart below

WORKING PRESSURE		
PSI	Tube OD	Tube Wall (Inches)
400	1/8	0.030
300	1/4	0.030
300	5/16	0.032
200	3/8	0.032
200	1/2	0.032
150	5/8	0.035
100	3/4	0.035
75	7/8	0.035

FITTING MATERIAL SPECIFICATIONS	
Body	Brass
Compression Sleeve	Brass
Compression Nut	Brass
Option	Plating

Part Listing:

- 68-4-2X 1/4" OD tube x 1/8" MIP
- 68-4-2X B 1/4" OD tube x 1/8" MIP, bulk
- 68-4-2-1X B 1/4" OD tube x 1/8" MIP - body only, bulk
- 68-4-6X 1/4" OD tube x 3/8" MIP
- 68-4-6X B 1/4" OD tube x 3/8" MIP, bulk
- 68-4-6-1X B 1/4" OD tube x 3/8" MIP - body only, bulk

This specification and all information contained herein is the confidential and exclusive property of Brasscraft Manufacturing Company and shall not be disclosed to others without the written consent of Brasscraft Mfg. Co. This specification must be returned to Brasscraft Mfg. Co. if requested.

68X Series Compression x Male Iron Pipe Reducing Adapters

Part Listing (con't):

<input type="checkbox"/>	68-4-8X	1/4" OD tube x 1/2" MIP
<input type="checkbox"/>	68-4-8X B	1/4" OD tube x 1/2" MIP, bulk
<input type="checkbox"/>	68-4-8-1X B	1/4" OD tube x 1/2" MIP - body only, bulk
<input type="checkbox"/>	68-5-2X	5/16" OD tube x 1/8" MIP
<input type="checkbox"/>	68-5-2-1X B	5/16" OD tube x 1/8" MIP - body only, bulk
<input type="checkbox"/>	68-6-2X	3/8" OD tube x 1/8" MIP
<input type="checkbox"/>	68-6-2X B	3/8" OD tube x 1/8" MIP, bulk
<input type="checkbox"/>	68-6-2-1X B	3/8" OD tube x 1/8" MIP - body only, bulk
<input type="checkbox"/>	68-6-4X	3/8" OD tube x 1/4" MIP
<input type="checkbox"/>	68-6-4X B	3/8" OD tube x 1/4" MIP, bulk
<input type="checkbox"/>	68-6-4X C	3/8" OD tube x 1/4" MIP, chrome plated
<input type="checkbox"/>	68-6-4-1X B	3/8" OD tube x 1/4" MIP - body only, bulk
<input type="checkbox"/>	68-6-8X	3/8" OD tube x 1/2" MIP
<input type="checkbox"/>	68-6-8X B	3/8" OD tube x 1/2" MIP, bulk
<input type="checkbox"/>	68-6-8X C	3/8" OD tube x 1/2" MIP, chrome plated
<input type="checkbox"/>	68-6-8-1X B	3/8" OD tube x 1/2" MIP - body only, bulk
<input type="checkbox"/>	68-6-12X	3/8" OD tube x 3/4" MIP
<input type="checkbox"/>	68-6-12-1X B	3/8" OD tube x 3/4" MIP - body only, bulk
<input type="checkbox"/>	68-7-4X	7/16" OD tube x 1/4" MIP
<input type="checkbox"/>	68-7-4-1X B	7/16" OD tube x 1/4" MIP - body only, bulk
<input type="checkbox"/>	68-8-4X	1/2" OD tube x 1/4" MIP
<input type="checkbox"/>	68-8-4-1X B	1/2" OD tube x 1/4" MIP - body only, bulk
<input type="checkbox"/>	68-8-6X	1/2" OD tube x 3/8" MIP
<input type="checkbox"/>	68-8-6X B	1/2" OD tube x 3/8" MIP, bulk
<input type="checkbox"/>	68-8-6X CB	1/2" OD tube x 3/8" MIP, chrome plated, bulk
<input type="checkbox"/>	68-8-6-1X B	1/2" OD tube x 3/8" MIP - body only, bulk
<input type="checkbox"/>	68-8-12X	1/2" OD tube x 3/4" MIP
<input type="checkbox"/>	68-8-12-1X B	1/2" OD tube x 3/4" MIP - body only, bulk
<input type="checkbox"/>	68-10-6X	5/8" OD tube x 3/8" MIP
<input type="checkbox"/>	68-10-6-1X B	5/8" OD tube x 3/8" MIP - body only, bulk
<input type="checkbox"/>	68-10-8X	5/8" OD tube x 1/2" MIP
<input type="checkbox"/>	68-10-8X B	5/8" OD tube x 1/2" MIP, bulk
<input type="checkbox"/>	68-10-8-1X B	5/8" OD tube x 1/2" MIP - body only, bulk
<input type="checkbox"/>	68-10-8-1X CB	5/8" OD tube x 1/2" MIP - body only, chrome plated, bulk
<input type="checkbox"/>	68-10-8-1X CP	5/8" OD tube x 1/2" MIP - body only, chrome plated, bagged
<input type="checkbox"/>	68-10-12X	5/8" OD tube x 3/4" MIP
<input type="checkbox"/>	68-10-12-1X B	5/8" OD tube x 3/4" MIP - body only, bulk
<input type="checkbox"/>	68-14-8X	7/8" OD tube x 1/2" MIP
<input type="checkbox"/>	68-14-8-1X B	7/8" OD tube x 1/2" MIP - body only, bulk
<input type="checkbox"/>	68-14-12X	7/8" OD tube x 3/4" MIP
<input type="checkbox"/>	68-14-12X B	7/8" OD tube x 3/4" MIP, bulk
<input type="checkbox"/>	68-14-12-1X B	7/8" OD tube x 3/4" MIP - body only, bulk
<input type="checkbox"/>	68-14-16X	7/8" OD tube x 1" MIP
<input type="checkbox"/>	68-14-16-1X B	7/8" OD tube x 1" MIP - body only, bulk

This specification and all information contained herein is the confidential and exclusive property of Brasscraft Manufacturing Company and shall not be disclosed to others without the written consent of Brasscraft Mfg. Co. This specification must be returned to Brasscraft Mfg. Co. if requested.

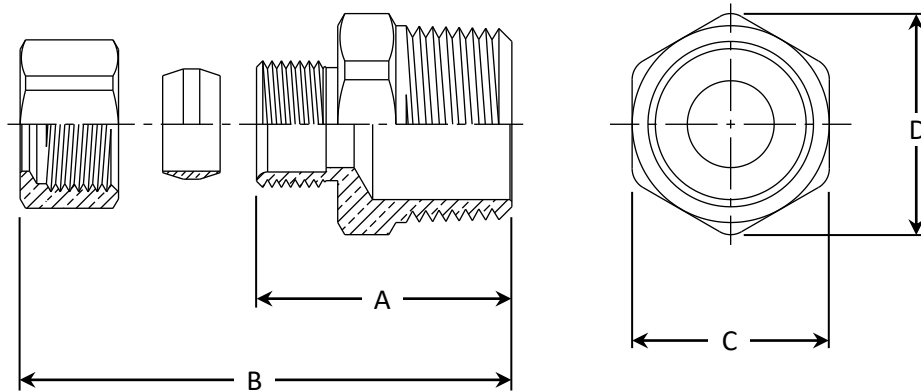
300.242 68 Series Reducing Adapters - Comp x MIP REV 9.19

BrassCraft[®]

©2019 Brasscraft Manufacturing Company

68 Series Compression x Male Iron Pipe Reducing Adapters

PART DIMENSIONS (Inches)				
Model	DIM. A	DIM. B	HEX. C	DIM. D
68-4-2X	0.86	1.14	7/16	0.49
68-4-6X	1.03	1.31	15/32	0.77
68-4-8X	1.22	1.50	7/8	0.98
68-5-2X	0.89	1.17	1/2	0.56
68-6-2X	0.94	1.21	9/16	0.63
68-6-4X	1.03	1.30	9/16	0.63
68-6-8X	1.17	1.44	7/8	0.98
68-6-12X	1.63	1.89	1-1/16	1.19
68-7-4X	1.17	1.44	5/8	0.70
68-8-4X	1.41	1.08	11/16	0.77
68-8-6X	1.06	1.39	11/16	0.77
68-8-12X	1.38	1.72	1-1/16	1.19
68-10-6X	1.22	1.55	13/16	0.91
68-10-8X	1.31	1.64	13/16	0.97
68-10-12X	1.38	1.71	1-1/16	1.19
68-14-8X	1.38	1.76	1-1/8	1.26
68-14-12X	1.38	1.70	1-1/8	1.26
68-14-16X	1.45	1.83	1-3/8	1.53



This specification and all information contained herein is the confidential and exclusive property of Brasscraft Manufacturing Company and shall not be disclosed to others without the written consent of Brasscraft Mfg. Co. This specification must be returned to Brasscraft Mfg. Co. if requested.