

For Residential and Commercial Applications

Job Name		Engineer / Architect	
Job Location		Wholesaler	
Submittal Date		Contractor	

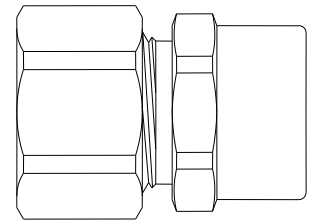
14/ 24/ 34 Series Compression x Sweat Unions – Drill Through

Use: For use with instrumentation, hydraulic, and pneumatic systems. Designed for use with aluminum, copper, and plastic tubing. Not intended for use with steel tubing.

* Plastic tubing requires a plastic insert and sleeve (see 60PT & 63PT submittal forms for details).

Design Features:

- **Little to no tube preparation on Compression connection.**
Compression connections do not require flaring, soldering or other types of tube preparation
- **Available in a broad range of sizes**
-



Operating Specifications:

- Temperature:** -65° - 250° F at maximum operating pressures
- Working Pressure:** See chart below
- Vibration:** Fair vibration resistance

WORKING PRESSURE		
PSI	Tube O.D.	Tube Wall (Inches)
400	1/8	0.030
400	3/16	0.030
300	1/4	0.030
300	5/16	0.032
200	3/8	0.032
200	1/2	0.032
150	5/8	0.035
100	3/4	0.035
75	7/8	0.035

Standard

FITTING MATERIAL SPECIFICATIONS	
Body	Brass
Compression Sleeve	Brass
Compression Nut	Brass, plated

Low-lead

FITTING MATERIAL SPECIFICATION	
Body	Low-lead brass
Compression Sleeve	Brass
Compression Nut	Brass, plated

Standard Part Listing:

- 24 R 1/2" nom sweat x 1/4" OD tube, chrome plated
- 14 C 1/2" nom sweat x 3/8" OD tube – drill through, chrome plated

This specification and all information contained herein is the confidential and exclusive property of Brasscraft Manufacturing Company and shall not be disclosed to others without the written consent of Brasscraft Mfg. Co. This specification must be returned to Brasscraft Mfg. Co. if requested.

14/ 24/ 34 Series Compression x sweat Unions – Drill Through

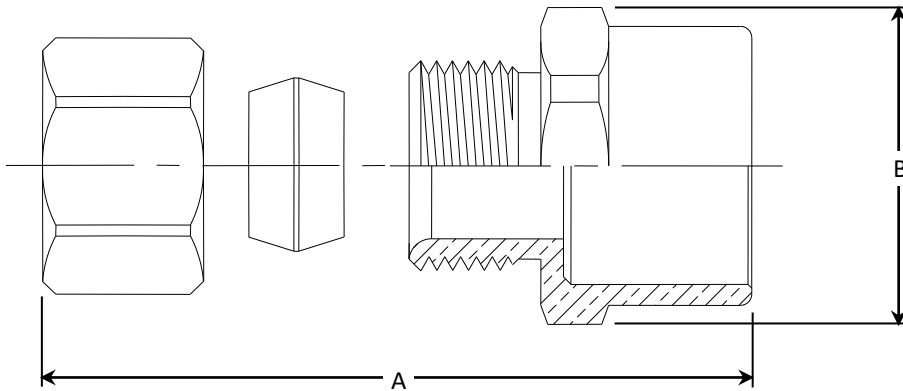
Standard Part Listing (con't):

- 14 CBT 1/2" nom sweat x 3/8" OD tube – drill through, chrome plated, plain tray, bulk
- 14 R 1/2" nom sweat x 3/8" OD tube – drill through, rough brass
- 14-1 RBT 1/2" nom sweat x 3/8" OD tube – unreamed, rough brass, plain tray, bulk
- 14-2 RBT 1/2" nom sweat x 3/8" OD tube – body only, rough brass, plain tray, bulk
- 34 C 1/2" nom sweat x 1/2" OD tube, chrome plated
- 34 R 1/2" nom sweat x 1/2" OD tube, rough brass

Low-lead Part Listing:

- 14X R 1/2" nom sweat x 3/8" OD tube – drill through, rough brass
- 14X-2 RB 1/2" nom sweat x 3/8" OD tube – body only, drill through, rough brass, bulk

PART DIMENSIONS (Inches)		
Model	DIM. A	HEX. B
24	1.08	3/4
14	1.08	3/4
34	1.07	3/4



This specification and all information contained herein is the confidential and exclusive property of Brasscraft Manufacturing Company and shall not be disclosed to others without the written consent of Brasscraft Mfg. Co. This specification must be returned to Brasscraft Mfg. Co. if requested.