

**For Residential and Commercial Applications**

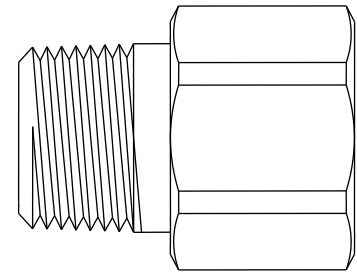
Job Name		Engineer / Architect	
Job Location		Wholesaler	
Submittal Date		Contractor	

## 120 Series Female Iron Pipe x Male Iron Pipe Adaptors

**Use:** For use with water, grease, fuels, LP and Natural Gas, refrigeration, instrumentation, and hydraulic systems in low and medium pressure pipe line connections. Use in combination with brass, copper, and iron pipe.

**Design Features:**

- **Designed and manufactured to SAE** (Society of Automotive Engineers) **thread standards** – SAE 130139
- **Available in a broad range of sizes**
- 



**Operating Specifications:**

- Temperature:** -65° to 250° F
- Working Pressure:** up to 1200 PSI
- Vibration:** fair resistance to vibration and pipe movement depending on conditions

<b>FITTING MATERIAL SPECIFICATIONS</b>	
<b>Body</b>	Brass

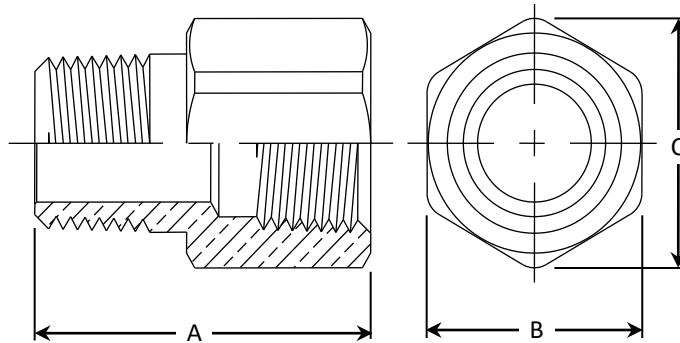
**Part Listing:**

- |                          |             |                           |
|--------------------------|-------------|---------------------------|
| <input type="checkbox"/> | 120-2X      | 1/8" FIP x 1/8" MIP       |
| <input type="checkbox"/> | 120-2X B    | 1/8" FIP x 1/8" MIP, bulk |
| <input type="checkbox"/> | 120-4-2X    | 1/4" FIP x 1/8" MIP       |
| <input type="checkbox"/> | 120-4-2X B  | 1/4" FIP x 1/8" MIP, bulk |
| <input type="checkbox"/> | 120-4X      | 1/4" FIP x 1/4" MIP       |
| <input type="checkbox"/> | 120-4X B    | 1/4" FIP x 1/4" MIP, bulk |
| <input type="checkbox"/> | 120-6-2X    | 3/8" FIP x 1/8" MIP       |
| <input type="checkbox"/> | 120-6-2X B  | 3/8" FIP x 1/8" MIP, bulk |
| <input type="checkbox"/> | 120-8-4X    | 1/2" FIP x 1/4" MIP       |
| <input type="checkbox"/> | 120-8-4X B  | 1/2" FIP x 1/4" MIP, bulk |
| <input type="checkbox"/> | 120-8-6X    | 1/2" FIP x 3/8" MIP       |
| <input type="checkbox"/> | 120-8-6X B  | 1/2" FIP x 3/8" MIP, bulk |
| <input type="checkbox"/> | 120-8X      | 1/2" FIP x 1/2" MIP       |
| <input type="checkbox"/> | 120-8X B    | 1/2" FIP x 1/2" MIP, bulk |
| <input type="checkbox"/> | 120-12-8X   | 3/4" FIP x 1/2" MIP       |
| <input type="checkbox"/> | 120-12-8X B | 3/4" FIP x 1/2" MIP, bulk |

*This specification and all information contained herein is the confidential and exclusive property of Brasscraft Manufacturing Company and shall not be disclosed to others without the written consent of Brasscraft Mfg. Co. This specification must be returned to Brasscraft Mfg. Co. if requested.*

# 120 Series Female Iron Pipe x Male Iron Pipe Adaptors

<b>PART DIMENSIONS (Inches)</b>			
<b>Model</b>	<b>DIM. A</b>	<b>HEX. B</b>	<b>DIM. C</b>
120-2	.88	9/16	.62
120-4-2	1.06	3/4	.84
120-4	1.25	3/4	.84
120-6-2	1.07	7/8	.98
120-6-4	1.25	7/8	.98
120-6	1.25	7/8	.98
120-8-4	1.47	1-1/16	1.18
120-8-6	1.34	1	1.12
120-8-6S	1.47	1-1/16	1.18
120-8	1.66	1-1/16	1.18
120-12-6	1.50	1-3/8	1.54
120-12-8	1.69	1-3/8	1.54
120-12	1.69	1-3/8	1.54



*This specification and all information contained herein is the confidential and exclusive property of Brasscraft Manufacturing Company and shall not be disclosed to others without the written consent of Brasscraft Mfg. Co. This specification must be returned to Brasscraft Mfg. Co. if requested.*