

For Residential and Commercial Applications

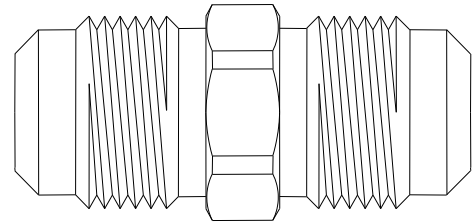
Job Name		Engineer / Architect	
Job Location		Wholesaler	
Submittal Date		Contractor	

42 Series Flare Union

Use: For use with fuel, oil, liquefied petroleum (LP), and natural gas lines. Designed for use with aluminum, copper, brass, and welded steel tubing that can be flared.

Design Features:

- **Recommended for higher pressures** than those covered by compression fittings
- **Resist mechanical pull out**
- **Available in a broad range of sizes**



Operating Specifications:

- Temperature:** -65° - 250° F at maximum operating pressures
- Working Pressure:** See chart below
- Vibration:** Good vibration resistance*

*Recommend long flare nuts when greater vibration resistance is required

MAXIMUM WORKING PRESSURES										
Service Conditions	Tube O.D.	Type of Tubing and Wall Thickness (Inches)								
		Copper – Dead Soft (Seamless)					Copper – Half Hard (Seamless)			
		.030"	.032"	.035"	.049"	.065"	.032"	.035"	.042"	.049"
Safety Factor 4-1	1/8	4300		5000			5000			
	3/16	2850		3300			3400			
	1/4	2100	2250	2500			2500			
	5/16		1800	2000			2000			
	3/8		1500	1650			1700	1850		
	1/2		1100	1250		2000	1250	1400		2600
	5/8			1000	1400	1800	1000		1500	2000
	3/4			850	1150	1500			1100	1700
	7/8								1100	1500
Safety Factor 6-1	1/8	2800		3350			3400			
	3/16	1900		2200			2250			
	1/4	1430	1500	1650			1700			
	5/16		1200	1300			1350			
	3/8		100	1100			1100	1200		
	1/2		750	825		1550	850	925		1750
	5/8			650	930	1200	675		1000	1350
	3/4			550	775	1000			725	1100
	7/8								750	1000

This specification and all information contained herein is the confidential and exclusive property of Brasscraft Manufacturing Company and shall not be disclosed to others without the written consent of Brasscraft Mfg. Co. This specification must be returned to Brasscraft Mfg. Co. if requested.

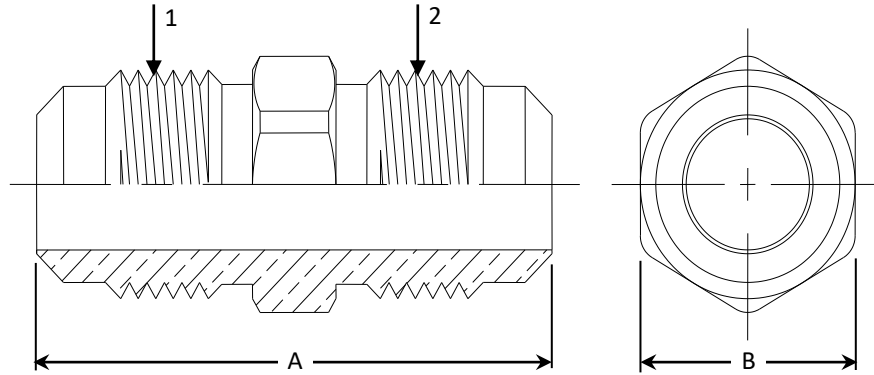


42 Series Flare Union

FITTING MATERIAL SPECIFICATIONS	
Body	Brass

PART DIMENSIONS (Inches)				
Model	Straight Threads (1)	Straight Threads (2)	DIM. A	HEX. B
42-2	5/16-24	5/16-24	.90	5/16
42-3	3/8-24	3/8-24	1.04	3/8
42-4	7/16-20	7/16-20	1.17	7/16
42-5-4	1/2-20	7/16-20	1.28	1/2
42-5	1/2-20	1/2-20	1.32	1/2
42-6-4	5/8-18	7/16-20	1.36	5/8
42-6-5	5/8-18	1/2-20	1.42	5/8
42-6	5/8-18	5/8-18	1.48	5/8
42-8-4	3/4-16	7/16-20	1.54	3/4

PART DIMENSIONS (Inches)				
Model	Straight Threads (1)	Straight Threads (2)	DIM. A	HEX. B
42-8-6	3/4-16	5/8-18	1.69	3/4
42-8	3/4-16	3/4-16	1.79	3/4
42-10-6	7/8-14	5/8-18	1.88	7/8
42-10-8	7/8-14	3/4-16	2.00	7/8
42-10	7/8-14	7/8-14	2.10	7/8
42-12-8	1-1/16-14	3/4-16	2.19	1-1/16
42-12-10	1-1/16-14	7/8-14	2.31	1-1/16
42-12	1-1/16-14	1-1/16-14	2.42	1-1/16
42-14	1-1/4-12	1-1/4-12	2.72	1-1/4



Part Listing:

- 42-2 1/8" OD tube, both ends
- 42-2 B 1/8" OD tube, both ends, bulk
- 42-3 3/16" OD tube, both ends
- 42-3 B 3/16" OD tube, both ends, bulk
- 42-4 1/4" OD tube, both ends
- 42-4 B 1/4" OD tube, both ends, bulk
- 42-4WN 1/4" OD tube, both ends, flare nuts included
- 42-5-4 5/16" OD tube x 1/4" OD tube
- 42-5 5/16" OD tube, both ends
- 42-5 B 5/16" OD tube, both ends, bulk
- 42-6-4 3/8" OD tube x 1/4" OD tube
- 42-6-4 B 3/8" OD tube x 1/4" OD tube, bulk
- 42-6-4WN 3/8" OD tube x 1/4" OD tube, flare nuts included
- 42-6-5 3/8" OD tube x 5/16" OD tube

This specification and all information contained herein is the confidential and exclusive property of Brasscraft Manufacturing Company and shall not be disclosed to others without the written consent of Brasscraft Mfg. Co. This specification must be returned to Brasscraft Mfg. Co. if requested.

42 Series Flare Union

Part Listing (con't):

<input type="checkbox"/>	42-6	3/8" OD Tube, both ends
<input type="checkbox"/>	42-6 B	3/8" OD Tube, both ends, bulk
<input type="checkbox"/>	42-6WN	3/8" OD Tube, both ends, flare nuts included
<input type="checkbox"/>	42-8-4	1/2" OD Tube x 1/4" OD Tube
<input type="checkbox"/>	42-8-6	1/2" OD Tube x 3/8" OD Tube
<input type="checkbox"/>	42-8-6 B	1/2" OD Tube x 3/8" OD Tube, bulk
<input type="checkbox"/>	42-8-6WN	1/2" OD Tube x 3/8" OD Tube, flare nuts included
<input type="checkbox"/>	42-8	1/2" OD Tube, both ends
<input type="checkbox"/>	42-8 B	1/2" OD Tube, both ends, bulk
<input type="checkbox"/>	42-8WN	1/2" OD Tube, both ends, flare nuts included
<input type="checkbox"/>	42-10-6	5/8" OD Tube x 3/8" OD Tube
<input type="checkbox"/>	42-10-6 B	5/8" OD Tube x 3/8" OD Tube, bulk
<input type="checkbox"/>	42-10-8	5/8" OD Tube x 1/2" OD Tube
<input type="checkbox"/>	42-10-8 B	5/8" OD Tube x 1/2" OD Tube, bulk
<input type="checkbox"/>	42-10-8WN	5/8" OD Tube x 1/2" OD Tube, flare nuts included
<input type="checkbox"/>	42-10	5/8" OD Tube, both ends
<input type="checkbox"/>	42-10 B	5/8" OD Tube, both ends, bulk
<input type="checkbox"/>	42-10WN	5/8" OD Tube, both ends, flare nuts included
<input type="checkbox"/>	42-12-8	3/4" OD Tube x 1/2" OD Tube
<input type="checkbox"/>	42-12-10	3/4" OD Tube x 5/8" OD Tube
<input type="checkbox"/>	42-12	3/4" OD Tube, both ends
<input type="checkbox"/>	42-12 B	3/4" OD Tube, both ends, bulk
<input type="checkbox"/>	42-14	7/8" OD Tube, both ends
<input type="checkbox"/>	42-14 B	7/8" OD Tube, both ends, bulk

This specification and all information contained herein is the confidential and exclusive property of Brasscraft Manufacturing Company and shall not be disclosed to others without the written consent of Brasscraft Mfg. Co. This specification must be returned to Brasscraft Mfg. Co. if requested.