

For Residential and Commercial Applications

Job Name		Engineer / Architect	
Job Location		Wholesaler	
Submittal Date		Contractor	

V601 Series Male Iron Pipe Drain Cock

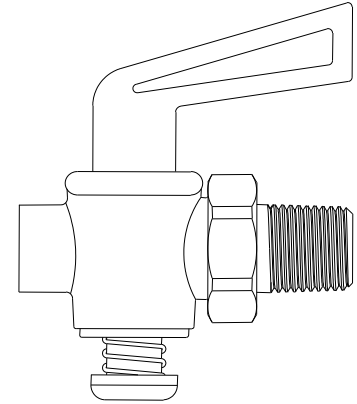
Use: For use with low pressure air, water, gas, and fluids (lubricant may not be compatible with some fluids).

Design Features:

- **Forged one-piece brass body** provides strength, durability and long-lasting performance
- **Brass Handle** provides a secure grip and smooth on/off operation
- **Manufactured with dryseal pipe threads**

Operating Specifications:

Temperature: 32° F to 125° F
Working Pressure: 30 PSI



FITTING MATERIAL SPECIFICATIONS

Body	Brass
Handle/Stem	Brass
Handle Screw	Steel
Spring	Steel
Washer	Steel

PART DIMENSIONS (Inches)

Model	DIM. A	DIM. B
V601-4	1.53	1.85
V601-6	1.75	2.30

Part Listing:

- V601-4 1/4" MIP
- V601-4 B 1/4" MIP, bulk
- V601-6 3/8" MIP

