

*For Residential and Commercial Applications*

|                |  |                      |  |
|----------------|--|----------------------|--|
| Job Name       |  | Engineer / Architect |  |
| Job Location   |  | Wholesaler           |  |
| Submittal Date |  | Contractor           |  |

## CT2-66\*X Series Female Compression x Compression Tee

**Use:** For use with potable water, instrumentation, hydraulic, and pneumatic systems. Designed for use with aluminum, copper, and plastic tubing. Not intended for use with steel tubing.

**Design Features:**

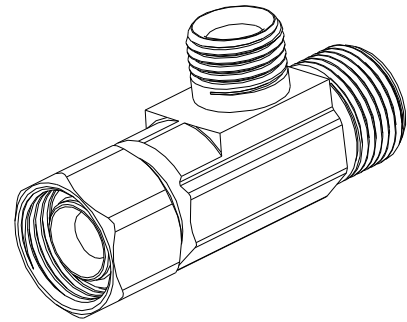
- **Little to no tube preparation.** Compression fittings do not require flaring, soldering, or other types of tube preparation



**Operating Specifications:**

**Temperature:** 40° to 180° F at maximum operating pressures

**Working Pressure:** 400 PSI maximum

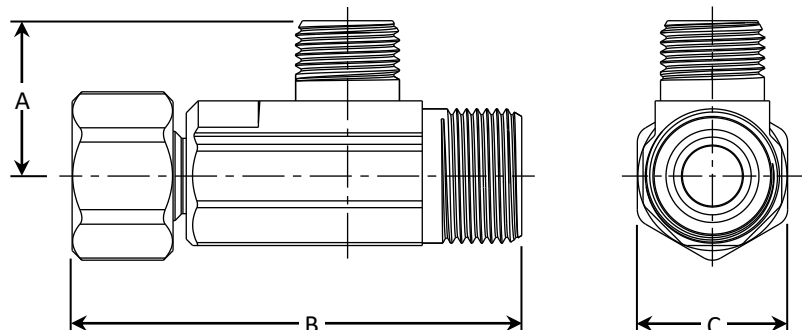


| FITTING MATERIAL SPECIFICATIONS |        |
|---------------------------------|--------|
| <b>Body</b>                     | Brass  |
| <b>Barb</b>                     | Brass  |
| <b>Flat Washer</b>              | Rubber |
| <b>Nut</b>                      | Brass  |

**Part Listing:**

- CT2-664X B 3/8" OD female compression x 3/8" OD compression x 1/4" OD compression tee, bulk
- CT2-664X D 3/8" OD female compression x 3/8" OD compression x 1/4" OD compression tee, carded
- CT2-664X P 3/8" OD female compression x 3/8" OD compression x 1/4" OD compression tee, bagged
- CT2-666X B 3/8" OD female compression x 3/8" OD compression x 3/8" OD compression tee, bulk
- CT2-666X D 3/8" OD female compression x 3/8" OD compression x 3/8" OD compression tee, carded
- CT2-666X P 3/8" OD female compression x 3/8" OD compression x 3/8" OD compression tee, bagged

| PART DIMENSIONS (Inches) |        |        |        |
|--------------------------|--------|--------|--------|
| Model                    | DIM. A | DIM. B | HEX. C |
| CT2-664X                 | .65    | 1.87   | 5/8    |
| CT2-666X                 | .73    | 1.87   | 5/8    |



*This specification and all information contained herein is the confidential and exclusive property of Brasscraft Manufacturing Company and shall not be disclosed to others without the written consent of Brasscraft Mfg. Co. This specification must be returned to Brasscraft Mfg. Co. if requested.*

