

For Residential and Commercial Applications

Job Name		Engineer / Architect	
Job Location		Wholesaler	
Submittal Date		Contractor	

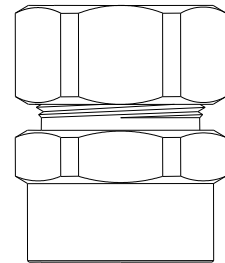
66 Series Compression x Female Iron Pipe Reducing Adapter

Use: For use with instrumentation, hydraulic and pneumatic systems. Designed for use with aluminum, copper and plastic tubing. Not intended for use with steel tubing

* Plastic tubing requires a plastic insert and sleeve (see 60PT & 63PT submittal forms for details).

Design Features:

- **Little to no tube preparation.** Compression fittings do not require flaring, soldering or other types of tube preparation
- **Available in a broad range of sizes**
-



Operating Specifications:

- Temperature:** -65° - 250°F at maximum operating pressures
Working Pressure: See chart below
Vibration: Fair vibration resistance

WORKING PRESSURE		
PSI	Tube O.D.	Tube Wall (Inches)
400	1/8	0.030
400	3/16	0.030
300	1/4	0.030
300	5/16	0.032
200	3/8	0.032
200	1/2	0.032
150	5/8	0.035
100	3/4	0.035
75	7/8	0.035

Standard Product

FITTING MATERIAL SPECIFICATIONS	
Body	Brass
Compression Sleeve	Brass
Compression Nut	Brass
Option	Plating

Low-lead Product

FITTING MATERIAL SPECIFICATIONS	
Body	Low-lead brass
Compression Sleeve	Brass
Compression Nut	Brass

Standard Part Listing:

- 66-3-2 3/16" OD tube x 1/8" FIP
- 66-3-2 B 3/16" OD tube x 1/8" FIP, bulk
- 66-3-2-1 B 3/16" OD tube x 1/8" FIP - body only, bulk

This specification and all information contained herein is the confidential and exclusive property of Brasscraft Manufacturing Company and shall not be disclosed to others without the written consent of Brasscraft Mfg. Co. This specification must be returned to Brasscraft Mfg. Co. if requested.

66 Series Compression x Female Iron Pipe Reducing Adapter

Standard Part Listing (con't):

<input type="checkbox"/>	66-3-4	3/16" OD tube x 1/4" FIP, bulk
<input type="checkbox"/>	66-3-4-1 B	3/16" OD tube x 1/4" FIP- body only, bulk
<input type="checkbox"/>	66-4-2	1/4" OD tube x 1/8" FIP
<input type="checkbox"/>	66-4-2 B	1/4" OD tube x 1/8" FIP, bulk
<input type="checkbox"/>	66-4-2-1 B	1/4" OD tube x 1/8" FIP - body only, bulk
<input type="checkbox"/>	66-4-6	1/4" OD tube x 3/8" FIP
<input type="checkbox"/>	66-4-6 B	1/4" OD tube x 3/8" FIP, bulk
<input type="checkbox"/>	66-4-6-1 B	1/4" OD tube x 3/8" FIP - body only, bulk
<input type="checkbox"/>	66-4-8	1/4" OD tube x 1/2" FIP
<input type="checkbox"/>	66-4-8 B	1/4" OD tube x 1/2" FIP, bulk
<input type="checkbox"/>	66-4-8-1 B	1/4" OD tube x 1/2" FIP - body only, bulk
<input type="checkbox"/>	66-5-4	5/16" OD tube x 1/4" FIP
<input type="checkbox"/>	66-5-4 B	5/16" OD tube x 1/4" FIP, bulk
<input type="checkbox"/>	66-5-4-1 B	5/16" OD tube x 1/4" FIP - body only, bulk
<input type="checkbox"/>	66-5-6	5/16" OD tube x 3/8" FIP
<input type="checkbox"/>	66-5-6-1 B	5/16" OD tube x 3/8" FIP - body only, bulk
<input type="checkbox"/>	66-6-2	3/8" OD tube x 1/8" FIP
<input type="checkbox"/>	66-6-2 B	3/8" OD tube x 1/8" FIP, bulk
<input type="checkbox"/>	66-6-2-1 B	3/8" OD tube x 1/8" FIP - body only, bulk
<input type="checkbox"/>	66-6-4	3/8" OD tube x 1/4" FIP
<input type="checkbox"/>	66-6-4 B	3/8" OD tube x 1/4" FIP, bulk
<input type="checkbox"/>	66-6-4-1 B	3/8" OD tube x 1/4" FIP - body only, bulk
<input type="checkbox"/>	66-6-8	3/8" OD tube x 1/2" FIP
<input type="checkbox"/>	66-6-8 B	3/8" OD tube x 1/2" FIP, bulk
<input type="checkbox"/>	66-6-8 C	3/8" OD tube x 1/2" FIP, chrome plated
<input type="checkbox"/>	66-6-8 CB	3/8" OD tube x 1/2" FIP, chrome plated, bulk
<input type="checkbox"/>	66-6-8-1 B	3/8" OD tube x 1/2" FIP - body only, bulk
<input type="checkbox"/>	66-6-12	3/8" OD tube x 3/4" FIP
<input type="checkbox"/>	66-6-12-1 B	3/8" OD tube x 3/4" FIP - body only, bulk
<input type="checkbox"/>	66-8-4	1/2" OD tube x 1/4" FIP
<input type="checkbox"/>	66-8-6	1/2" OD tube x 3/8" FIP
<input type="checkbox"/>	66-8-6 B	1/2" OD tube x 3/8" FIP, bulk
<input type="checkbox"/>	66-8-6-1 B	1/2" OD tube x 3/8" FIP - body only, bulk
<input type="checkbox"/>	66-8-12	1/2" OD tube x 3/4" FIP
<input type="checkbox"/>	66-8-12-1 B	1/2" OD tube x 3/4" FIP - body only, bulk
<input type="checkbox"/>	66-10-6	5/8" OD tube x 3/8" FIP
<input type="checkbox"/>	66-10-6 B	5/8" OD tube x 3/8" FIP, bulk
<input type="checkbox"/>	66-10-6-1 B	5/8" OD tube x 3/8" FIP - body only, bulk
<input type="checkbox"/>	66-10-8	5/8" OD tube x 1/2" FIP
<input type="checkbox"/>	66-10-8 B	5/8" OD tube x 1/2" FIP, bulk
<input type="checkbox"/>	66-10-8-1 B	5/8" OD tube x 1/2" FIP - body only, bulk
<input type="checkbox"/>	66-10-12	5/8" OD tube x 3/4" FIP
<input type="checkbox"/>	66-10-12 B	5/8" OD tube x 3/4" FIP, bulk
<input type="checkbox"/>	66-10-12-1 B	5/8" OD tube x 3/4" FIP - body only, bulk

This specification and all information contained herein is the confidential and exclusive property of Brasscraft Manufacturing Company and shall not be disclosed to others without the written consent of Brasscraft Mfg. Co. This specification must be returned to Brasscraft Mfg. Co. if requested.

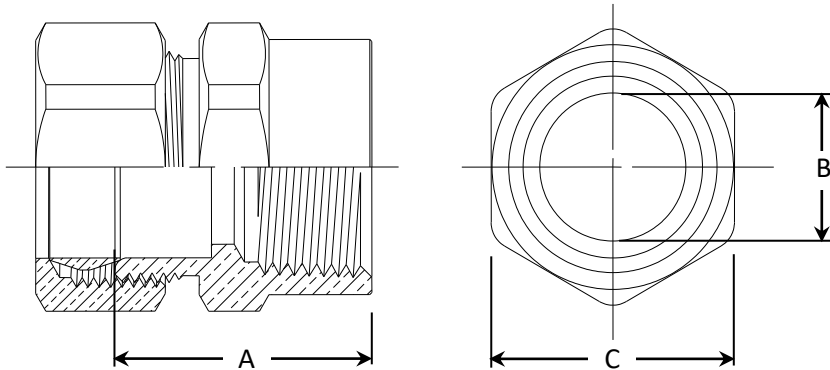
66 Series Compression x Female Iron Pipe Reducing Adapter

Standard Part Listing (con't):

- 66-12-8 3/4" OD tube x 1/2" FIP
- 66-12-8-1 B 3/4" OD tube x 1/2" FIP - body only, bulk
- 66-14-8 7/8" OD tube x 1/2" FIP
- 66-14-12 7/8" OD tube x 3/4" FIP
- 66-14-12-1 B 7/8" OD tube x 3/4" FIP - body only, bulk

Low-lead Part Listing:

- 66-6-2X 3/8" OD tube x 1/8" FIP
- 66-6-2-1X B 3/8" OD tube x 1/8" FIP - body only, bulk
- 66-6-8X 3/8" OD tube x 1/2" FIP
- 66-6-8X B 3/8" OD tube x 1/2" FIP, bulk
- 66-6-8-1X B 3/8" OD tube x 1/2" FIP - body only, bulk
- 66-10-8X 5/8" OD tube x 1/2" FIP
- 66-10-8-1X B 5/8" OD tube x 1/2" FIP - body only, bulk



PART DIMENSIONS (Inches)			
Model	DIM. A	DIA. B	DIM. C
66-3-4	0.96	0.125	11/16
66-4-2	0.87	0.187	1/2
66-4-6	1.03	0.187	3/4
66-4-8	1.20	0.19	1
66-5-4	0.92	0.25	5/8
66-5-6	0.99	0.312	13/16
66-6-2	0.89	0.316	9/16
66-6-4	0.88	0.343	11/16
66-6-8	1.00	0.343	7/8
66-6-12	1.187	0.312	1-5/32

PART DIMENSIONS (Inches)			
Model	DIM. A	DIA. B	DIM. C
66-8-4	1.08	0.41	11/16
66-8-6	0.91	0.406	3/4
66-8-12	1.25	0.406	1-5/32
66-10-6	1.06	0.50	13/16
66-10-8	1.11	0.531	1
66-10-12	1.56	0.50	1-1/4
66-12-8	1.25	0.562	1-1/16
66-14-8	1.25	0.75	1-1/4
66-14-12	1.25	0.75	1-1/4

This specification and all information contained herein is the confidential and exclusive property of Brasscraft Manufacturing Company and shall not be disclosed to others without the written consent of Brasscraft Mfg. Co. This specification must be returned to Brasscraft Mfg. Co. if requested.